


MOTO GUZZI®

CATALOGUS RESERVEONDERDELEN



V7 Racer 750 2014

Voorvoegsel frame: ZGULWV01

Voorvoegsel motor:

Inhoudsopgave

Afgewerkte producten.....	4
Alfanumerieke inhoudsopgave.....	5
FRAME.....	10
Tafel 33.01 - Frame I.....	10
Tafel 33.02 - Frame II.....	11
Tafel 33.03 - Lateral stand.....	12
Tafel 33.06 - Gear lever.....	13
Tafel 33.07 - Front fork I.....	14
Tafel 33.08 - Front fork II.....	15
Tafel 33.11 - Rear shock absorber.....	17
Tafel 33.12 - Fuel tank.....	18
Tafel 33.13 - Front body - Front mudguard.....	19
Tafel 33.14 - Saddle-Central bod.....	20
Tafel 33.15 - Rear body I- Mudguard.....	21
Tafel 33.16 - Rear body II- Plate holder.....	22
Tafel 33.17 - Dashboard.....	23
Tafel 33.18 - Handlebar - Controls.....	24
Tafel 33.19 - Front brake system.....	25
Tafel 33.21 - Fuel pump.....	26
Tafel 33.23 - Exhaust unit.....	27
Tafel 33.24 - Front wheel.....	29
Tafel 33.25 - Rear wheel.....	30
Tafel 33.26 - Rear master cylinder.....	31
Tafel 33.27 - Rear brake caliper.....	33
Tafel 33.28 - Front lights.....	34
Tafel 33.29 - Rear lights.....	35
Tafel 33.30 - Electrical system I.....	36
Tafel 33.31 - Electrical system II.....	37
Tafel 33.32 - Lock hardware kit.....	39
Tafel 33.33 - Decal and plate set.....	40
Tafel 33.51 - Fuel vapour recover system.....	41
Tafel 33.52 - Air box II.....	42
ENGINE.....	44
Tafel 34.09 - Transmission complete I.....	44
Tafel 34.10 - Transmission complete II.....	45
Tafel 34.34 - Crank-case.....	48
Tafel 34.35 - Timing system cover.....	49
Tafel 34.36 - Cylinder head.....	50
Tafel 34.37 - Crankshaft cpl.....	51
Tafel 34.38 - Timing system.....	52
Tafel 34.39 - Oil pump.....	54
Tafel 34.40 - Clutch I.....	55
Tafel 34.41 - Clutch II.....	56

Tafel 34.42 - Transmission cage.....	57
Tafel 34.43 - Gear box.....	58
Tafel 34.44 - Gear box selector.....	60
Tafel 34.45 - Generator - Regulator.....	61
Tafel 34.46 - Starter motor.....	62
Tafel 34.47 - Throttle body.....	63

Afgewerkte producten

Code	Geldigheid
GU9032112AUE00	
GU9032112AUE01	
GU9032112EUE00	
GU9032112EUE01	
GU9032112GBE00	
GU9032112GBE01	
GU9032112JPE00	
GU9032112JPE01	
GU9032112JPF00	
GU9032112JPF01	
GU9032112ZCE00	
GU9032112ZCE01	

Code	N.Tafel	Pos.	Code	N.Tafel	Pos.	Code	N.Tafel	Pos.
080341	33.30	6	856063	33.51	14	887235	34.42	17
1C001499	33.03	9	856796	33.06	20	8872690001	34.37	10
248419	33.26	19	857206	34.45	4	8872690002	34.37	10
254485	33.14	16	860138	33.51	7	8872690003	34.37	10
254485	33.28	20	860651	34.09	19	8872724	34.36	1
254485	33.52	14	874567	34.37	14	8872754	34.36	2
254485	34.45	10	880260	34.47	4	887279	34.36	24
292022	33.28	9	883127	33.52	6	887280	33.06	17
292723	33.28	10	883161	33.31	11	887431	33.27	3
2A000085	34.35	1	883192	33.27	7	887443	33.33	4
2A000097	34.42	2	883266	33.13	2	887448	33.25	12
2A000098	34.42	1	883295	33.14	5	887449	33.27	1
2A0000995	34.37	1	883303	33.19	13	887481	33.30	12
2A000106	34.40	8	883349	33.25	8	887483	34.36	25
2A000115	34.45	6	883350	33.25	7	887523	34.36	9
2A000129	34.45	7	883417	33.28	24	887528	34.38	27
2A000146	34.38	1	883470	33.16	12	887787	33.21	5
2A000147	34.38	2	883476	33.32	3	887812	34.47	14
2A0002355	34.34	1	883477	33.32	1	887815	33.52	13
2B000045	33.52	27	883480	33.16	15	887825	33.30	1
2B000178	33.23	11	883502	33.12	5	887825	33.31	1
2B000179	33.23	10	883552	33.08	24	887826	33.28	4
2B000560	33.07	1	883581	33.19	2	887826	33.29	4
2B000838	33.14	10	883602	33.08	32	887827	33.28	5
2B000839	33.14	9	883688	33.24	10	887827	33.29	5
2B000841	33.14	20	883826	34.34	18	8878421	33.52	1
2B000842	33.14	21	883940	33.18	3	887843	33.52	2
2B000843	33.01	17	884031	34.42	6	887844	33.52	11
2B000844	33.01	18	884037	34.40	12	887845	33.52	12
2B000970	33.21	2	884311	34.47	13	887846	33.23	1
2B001048	33.18	27	886141	33.33	10	887847	33.23	2
2B001049	33.18	10	886364	34.42	3	887873	33.32	1
2D000005	33.30	11	886365	34.34	10	887874	33.32	3
2D000006	33.32	10	886368	33.14	12	887877	33.29	1
2D000024	34.45	1	886629	34.40	20	887878	33.08	1
2D000043	34.45	2	886630	33.11	3	887879	33.08	2
2D000205	33.30	11	886645	33.01	11	887880	33.08	3
2D000206	33.30	22	886665	33.06	13	887882	33.08	5
2D000207	33.30	21	886665	33.26	1	887883	33.08	6
2G000013	33.33	14	886666	33.26	9	887884	33.08	7
2H000419	33.12	1	886668	33.06	16	887885	33.08	8
2H000420	33.12	1	886670	34.37	11	887886	33.08	9
2H000421000Y02	33.13	7	886675	33.11	1	887887	33.08	10
2H000422000Y02	33.16	6	886676	34.09	11	887888	33.08	11
2H000423	33.33	13	886678	33.33	3	887889	33.08	12
2H000424	33.33	12	886679	33.24	18	887890	33.08	13
2H000425	33.33	1	886680	33.25	20	887891	33.08	14
2H000426	33.33	7	886681	33.24	2	887892	33.08	15
2H000427	33.33	9	886706	33.14	15	887893	33.08	16
2H000428	33.33	8	886711	33.25	2	887894	33.08	17
2H000429	33.33	16	886712	33.16	9	887895	33.08	18
2H000430	33.33	17	886713	33.16	10	887896	33.08	19
2L0001895	34.34	28	886724	33.13	10	887899	33.08	25
2Q000043	33.33	5	886727	33.14	19	887900	33.08	23
2Q000045	33.33	5	88673000Y02	33.13	1	887905	33.08	28
2Q000054	33.33	5	886820	33.14	22	887916	33.08	22
2R000109	33.08	29	886841	33.14	14	887944	33.12	1
2R000110	33.08	4	886842	33.08	21	887948	33.30	13
584211	33.31	10	887002	34.36	10	887971	33.33	11
584332	33.29	7	887003	34.35	2	890760	33.52	16
638733	33.31	6	887004	34.34	13	890979	33.28	16
640598	33.28	11	887005	34.42	10	893570	33.31	19
641040	33.30	8	887006	34.42	15	894505	33.25	13
641541	34.39	8	887093	34.39	9	894704	33.31	26
641725	33.30	7	887194	33.17	1	896110	33.23	21
641901	33.30	4	887196	34.44	8	897478	34.45	3
642034	33.30	3	887207	33.12	1	898086	33.07	7

Code	N.Tafel	Pos.	Code	N.Tafel	Pos.	Code	N.Tafel	Pos.
898174	33.33	2	AP8120557	33.12	11	AP8152298	33.26	18
89817800A3	33.14	1	AP8120615	33.52	10	AP8152298	34.47	6
898179	33.13	7	AP8120772	33.52	20	AP8152299	33.15	15
898180	33.13	8	AP8120870	33.23	20	AP8152299	33.27	10
898280	33.16	6	AP8120876	33.52	8	AP8152299	33.30	5
898281	33.06	7	AP8120912	33.06	2	AP8152299	33.51	5
898281	33.26	27	AP8120912	33.26	2	AP8152300	33.02	14
898282	33.06	1	AP8121014	33.03	3	AP8152300	33.27	13
898283	33.06	3	AP8121032	33.15	13	AP8152306	33.16	5
898284	33.06	9	AP8121032	33.17	7	AP8152320	33.06	6
898285	33.26	30	AP8121072	33.23	22	AP8152320	33.26	33
898286	33.26	17	AP8121267	33.51	10	AP8152329	33.15	11
898287	33.26	12	AP8121307	33.07	4	AP8152329	33.52	18
898288	33.26	4	AP8121367	33.02	10	AP8152339	33.16	8
898611	33.06	12	AP8121375	33.03	2	AP8152385	33.19	16
898612	33.26	28	AP8121420	33.14	6	AP8181140	33.31	24
967356	33.03	6	AP8121420	33.32	8	AP8201358	33.51	13
969973	34.36	26	AP8121673	33.12	12	AP8201358	33.52	3
976604	34.34	12	AP8121927	33.26	3	AP8201358	33.52	34
976608	34.10	1	AP8121929	33.16	7	AP8210007	33.06	18
976614	33.14	13	AP8124718	33.16	13	AP8213028	33.18	23
976685	34.34	16	AP8124936	33.30	2	AP8213057	33.26	15
976898	34.36	20	AP8127856	33.03	8	AP8220283	33.31	22
976941	34.09	1	AP8133643	33.26	14	AP8220460	33.07	6
976992	34.42	21	AP8133798	33.27	2	AP8220590	33.01	20
977527	33.14	8	AP8133873	33.26	22	AP8221023	33.52	26
977527	33.32	4	AP8134378	33.23	18	AP8221114	33.51	16
978311	33.28	2	AP8134448	33.16	2	AP8221172	33.01	16
978323	33.19	15	AP8134640	33.26	35	AP8221172	33.18	18
978385	33.23	12	AP8144071	33.23	16	AP8221197	33.03	5
978386	33.23	15	AP8144071	34.36	23	AP8221277	33.06	10
978387	33.23	4	AP8144081	33.07	5	AP8224164	33.16	3
978415	33.14	7	AP8144146	33.07	3	AP8224462	33.31	21
978415	33.32	9	AP8144538	33.52	15	AP9100477	33.06	15
978662	33.28	2	AP8144553	33.52	7	AP9100477	33.26	31
97894600Y02	33.15	1	AP8144606	33.01	15	B016796	34.47	5
978947	33.15	2	AP8144729	33.52	17	B043850	33.31	23
978949	33.16	1	AP8149034	33.16	17	B063016	34.37	13
978970	33.26	13	AP8150026	33.06	19	B063022	33.23	3
981149	33.28	12	AP8150044	33.06	14	B063049	34.47	2
AP8101594	33.26	20	AP8150044	33.26	25	B063077	33.24	5
AP8101595	33.12	15	AP8150115	33.06	5	B063078	33.25	11
AP8102159	33.51	6	AP8150137	33.06	4	B063086	33.03	1
AP8102375	33.31	14	AP8150248	33.16	19	B063099	34.36	19
AP8102524	33.03	4	AP8150285	34.42	27	B063111	34.36	6
AP8102678	33.51	1	AP8150349	33.32	6	B063135	33.18	6
AP8102688	33.51	2	AP8150377	33.31	20	B063144	33.24	3
AP8102765	33.52	24	AP8150413	33.13	6	B063152	33.12	19
AP8102766	33.52	23	AP8150416	33.12	8	B063154	33.12	18
AP8102913	33.14	3	AP8150436	33.02	12	B063167	33.15	12
AP8104525	33.52	5	AP8150468	33.26	29	B063213	33.52	30
AP8104924	33.52	4	AP8150509	33.52	19	B063214	33.52	21
AP8104996	33.52	28	AP8152138	33.06	21	B063233	33.31	5
AP8110053	33.06	22	AP8152220	33.02	11	B063247	33.18	4
AP8113003	33.27	20	AP8152220	34.39	18	B063248	33.18	5
AP8113004	33.19	14	AP8152268	33.16	18	B063249	33.02	1
AP8113004	33.27	8	AP8152273	33.16	11	B063250	33.02	2
AP8113288	33.26	16	AP8152273	33.21	4	B063251	33.01	1
AP8113553	33.26	23	AP8152277	33.19	3	B063265	33.24	1
AP8118490	33.18	24	AP8152278	33.15	3	B063267	33.25	1
AP8120246	34.09	10	AP8152278	33.28	13	B063269	34.42	11
AP8120416	33.30	18	AP8152279	33.15	9	B063287	33.01	4
AP8120416	33.31	27	AP8152281	34.45	9	B063317	33.18	1
AP8120416	33.51	11	AP8152286	33.24	11	B063326	33.18	8
AP8120446	33.51	9	AP8152287	33.02	13	B063342	34.42	20
AP8120455	33.52	9	AP8152288	33.02	15	B063429	33.14	23
AP8120531	33.14	18	AP8152288	33.27	9	B063431	33.14	24

Code	N.Tafel	Pos.	Code	N.Tafel	Pos.	Code	N.Tafel	Pos.
B063465	34.37	15	GU05730730	34.46	1	GU19202320	34.42	9
B063466	34.37	16	GU05781630	33.16	20	GU19203460	34.40	11
B063735	33.28	14	GU05900130	33.33	6	GU19206501	34.10	10
B063735	33.29	6	GU06740400	33.28	17	GU19212900	34.43	15
B063750	33.27	6	GU10054100	34.43	12	GU19213720	34.43	17
B063752	33.21	1	GU10214300	34.43	27	GU19213760	34.41	15
B063854	33.23	1	GU10214301	34.43	27	GU19214660	34.43	11
B063855	33.23	2	GU10214302	34.43	27	GU19215460	34.43	3
B063975	33.18	15	GU10214303	34.43	27	GU19234600	34.44	2
CM001928	33.07	9	GU10214304	34.43	27	GU19237800	34.42	13
CM001929	33.07	8	GU10214305	34.43	27	GU19327601	34.09	5
CM0074C9	33.30	10	GU10528900	34.34	15	GU19328801	34.09	3
CM0074D0	33.30	9	GU10528900	34.40	13	GU19350700	34.10	22
CM013202	33.31	25	GU10528900	34.42	23	GU19351100	34.10	4
CM225705	33.31	15	GU12003702	34.34	20	GU19351900	34.10	2
CM225710	33.31	16	GU12022600	34.10	6	GU19352300	34.10	23
CM225715	33.31	17	GU12022600	34.42	24	GU19353500	34.10	24
CM225730	33.31	18	GU12087001	34.41	9	GU19355200	34.10	35
CM228303	34.47	1	GU12154200	34.34	23	GU19355202	34.10	36
CM228304	34.47	1	GU12154200	34.42	12	GU19355300	34.10	33
GU00823923140	33.03	7	GU13021900	34.34	26	GU19355301	34.10	33
GU00823923140	33.51	12	GU13021900	34.36	12	GU19355302	34.10	33
GU00823923140	33.52	32	GU14086000	34.41	10	GU19355303	34.10	33
GU00823931055	33.28	19	GU14086100	34.41	7	GU19355304	34.10	33
GU00823931070	33.12	2	GU14090201	34.41	1	GU19355305	34.10	33
GU00823944050	33.12	16	GU14090400	34.41	2	GU19355306	34.10	33
GU00823950050	33.26	21	GU14217901	34.40	6	GU19355307	34.10	33
GU01103860	33.01	13	GU14217901	34.42	7	GU19355308	34.10	33
GU01528930	34.10	9	GU14217901	34.44	17	GU19355309	34.10	33
GU01609630	33.18	14	GU14609650	33.30	20	GU19355320	34.10	27
GU01654630	33.19	17	GU14609650	33.31	27	GU19355321	34.10	27
GU01659130	33.19	11	GU14615901	33.13	5	GU19355322	34.10	27
GU01659131	33.19	12	GU14615901	34.09	20	GU19355323	34.10	27
GU01665410	33.26	6	GU14615901	34.37	5	GU19355324	34.10	27
GU01721600	33.30	14	GU14616150	33.24	15	GU19355325	34.10	27
GU01744200	33.28	18	GU14616150	33.25	10	GU19355326	34.10	27
GU03013800	33.23	8	GU18144350	34.39	16	GU19355327	34.10	27
GU03013800	34.47	10	GU18161150	34.39	21	GU19355328	34.10	27
GU03067730	34.10	19	GU18257551	33.26	8	GU19355329	34.10	27
GU03101600	33.12	7	GU19002020	34.35	5	GU19355400	34.10	21
GU03101720	33.12	5	GU19002020	34.42	16	GU19355402	34.10	21
GU03101900	33.12	3	GU19003800	34.34	8	GU19355404	34.10	21
GU03102200	33.12	6	GU19007700	34.45	8	GU19355406	34.10	21
GU03102400	33.12	10	GU19015020	34.34	5	GU19355408	34.10	21
GU03103200	33.12	17	GU19017000	33.02	4	GU19355410	34.10	21
GU03103500	33.12	4	GU19018920	34.39	10	GU19355411	34.10	21
GU03163330	33.31	3	GU19021360	34.36	18	GU19355412	34.10	21
GU03270300	33.26	34	GU19021920	34.36	7	GU19355413	34.10	21
GU03468100	33.01	21	GU19025280	33.23	5	GU19356700	34.10	30
GU03604845	33.19	8	GU19025460	33.23	6	GU19356760	34.41	16
GU03605645	33.19	9	GU19027500	34.38	15	GU19356801	34.10	28
GU03609600	33.18	14	GU19030500	34.38	7	GU19357660	34.10	25
GU03612040	33.24	16	GU19032080	34.38	10	GU19547000	34.09	12
GU03631250	33.24	4	GU19032980	34.36	17	GU20085720	34.41	13
GU03631250	33.25	9	GU19032980	34.38	14	GU20147710	34.39	17
GU03658201	33.27	16	GU19034000	34.38	8	GU20147810	34.39	3
GU03658330	33.27	17	GU19037820	34.36	8	GU20148410	34.39	4
GU03658430	33.27	14	GU19045861	34.38	25	GU20148610	34.39	5
GU03660145	33.19	1	GU19055700	34.38	23	GU20208520	34.44	9
GU03661145	33.19	6	GU19058021	34.38	19	GU20352421	34.10	31
GU03664045	33.19	7	GU19058220	34.38	20	GU20355121	34.10	34
GU03740930	33.29	2	GU19062261	34.37	4	GU23204471	34.40	21
GU03749845	33.19	5	GU19065400	34.37	2	GU23204571	34.40	22
GU03922280	34.09	23	GU19067700	34.37	18	GU23211372	34.43	8
GU03995730	33.33	15	GU19083462	34.40	2	GU23217800	34.38	3
GU05107430	33.21	3	GU19146422	34.39	1	GU23328081	34.09	7
GU05659230	33.19	10	GU19152200	34.39	11	GU23442210	33.06	11

Code	N.Tafel	Pos.
GU23442210	33.26	11
GU23548080	34.09	8
GU23548180	34.09	9
GU23943410	33.08	31
GU27037521	34.38	4
GU27061585	34.37	3
GU27061885	34.37	17
GU27062060	34.37	6
GU27065660	34.37	7
GU27066460	34.37	9
GU27066560	34.37	8
GU27152885	34.34	22
GU27153085	34.39	14
GU27210760	34.41	12
GU27633910	33.25	4
GU28157950	33.51	8
GU28157950	33.52	29
GU28252060	33.02	8
GU28576591	33.12	13
GU28576591	33.15	4
GU28612033	33.25	18
GU29729461	33.31	2
GU29759150	33.18	17
GU30109330	33.23	24
GU30577800	33.29	13
GU30601060	33.18	25
GU30602500	33.18	22
GU30630430	33.25	19
GU31003766	34.10	8
GU31003766	34.34	14
GU31003766	34.40	19
GU31003766	34.42	26
GU31016050	34.39	20
GU31037015	34.38	13
GU31038015	34.38	5
GU31045015	34.38	26
GU31112965	33.52	33
GU31121880	33.23	9
GU31150950	34.39	26
GU31159050	34.39	15
GU31327783	34.09	2
GU31439565	33.13	4
GU31513480	33.08	20
GU31544181	34.09	15
GU31547882	34.09	14
GU31610160	33.24	17
GU31614183	33.24	9
GU31615260	33.24	6
GU31616384	33.24	12
GU31634281	33.27	4
GU31634481	33.25	15
GU31659181	33.27	11
GU31659281	33.27	12
GU32032310	34.38	11
GU32053410	34.38	16
GU32054510	34.38	17
GU32067910	34.40	5
GU32080310	34.40	1
GU32084410	34.40	4
GU32115010	34.47	3
GU32115011	34.47	8
GU32115510	34.47	7
GU32121010	33.23	7
GU32121910	33.23	25
GU32121911	33.23	26
GU32128610	33.23	13
GU32129010	33.23	14

Code	N.Tafel	Pos.
GU32202010	34.43	28
GU32206510	34.42	22
GU32208210	34.42	8
GU32210510	34.43	1
GU32211110	34.43	9
GU32211410	34.43	6
GU32211810	34.43	5
GU32212011	34.43	2
GU32213610	34.43	14
GU32213810	34.42	5
GU32214010	34.43	24
GU32214510	34.43	20
GU32214810	34.43	21
GU32215010	34.43	22
GU32215210	34.43	23
GU32231010	34.44	5
GU32231210	34.44	4
GU32233010	34.44	6
GU32234110	34.44	13
GU32234410	34.44	1
GU32234710	34.44	11
GU32234810	34.44	12
GU32234910	34.44	16
GU32235710	34.44	14
GU32238210	34.44	10
GU32251610	33.06	8
GU32350410	34.10	13
GU32351410	34.10	16
GU32354610	34.10	18
GU32431310	33.02	9
GU32439260	33.51	3
GU32461610	33.14	2
GU32506360	33.28	1
GU32517710	33.31	8
GU32555210	33.11	4
GU32555211	33.11	5
GU32602860	33.18	12
GU32603010	33.18	16
GU32603310	33.18	7
GU32605510	33.18	2
GU32615660	33.24	14
GU32632510	33.25	17
GU32633360	33.25	14
GU32633560	34.10	11
GU32634160	33.27	5
GU32636160	33.25	21
GU32735510	33.32	5
GU32735511	33.32	5
GU32747910	33.31	9
GU32753410	33.28	3
GU32753410	33.29	8
GU32781910	33.16	16
GU32782510	33.32	2
GU32944310	33.33	18
GU32999010	34.34	25
GU32999510	34.34	24
GU35214300	34.09	13
GU39238100	34.43	25
GU49609601	33.30	19
GU49609601	33.31	27
GU53429500	33.02	3
GU61027200	34.37	12
GU61036801	34.36	3
GU61038100	34.38	6
GU61054900	34.38	18
GU61270300	33.27	22
GU61270300	34.10	26

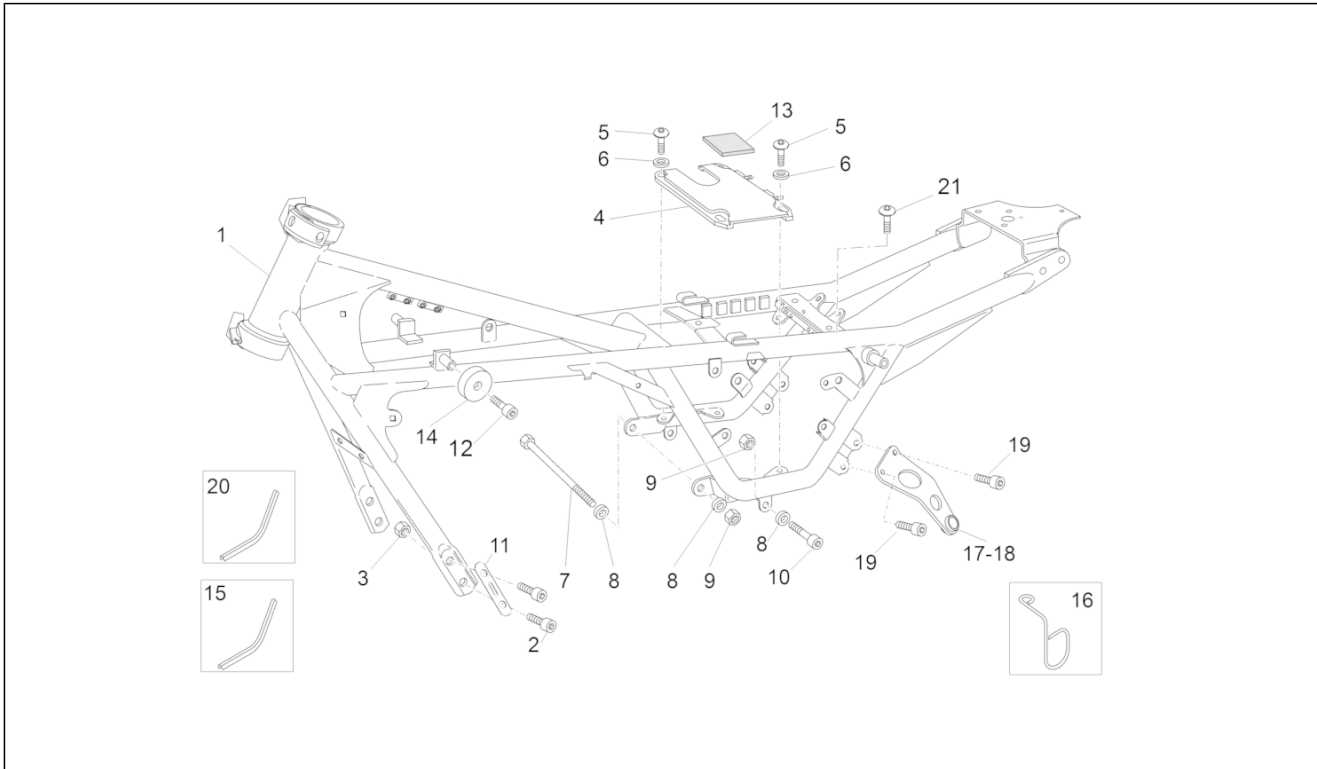
Code	N.Tafel	Pos.
GU61270300	34.34	6
GU61270300	34.36	21
GU61270300	34.40	17
GU66103415	33.01	14
GU90271018	34.38	12
GU90271117	34.43	29
GU90271121	34.43	19
GU90271124	34.43	4
GU90272023	34.09	4
GU90272075	34.40	3
GU90274026	34.44	3
GU90353009	34.36	4
GU90353029	34.38	24
GU90353030	34.10	17
GU90400616	34.41	11
GU90402538	33.25	6
GU90402642	33.24	8
GU90403251	34.10	38
GU90403549	34.10	3
GU90407591	34.10	15
GU90706076	34.34	9
GU90706111	34.39	22
GU90706140	34.42	4
GU90706141	33.30	17
GU90706170	34.41	8
GU90706188	34.10	29
GU90706188	34.43	18
GU90706203	34.10	7
GU90706203	34.42	25
GU90706235	34.41	14
GU90706281	34.34	19
GU90706444	34.34	17
GU90706584	34.10	37
GU90714082	33.52	31
GU91113826	33.23	29
GU91120806	33.15	6
GU91180601	33.15	10
GU91181003	33.18	11
GU91181003	33.19	18
GU91551010	33.52	25
GU91551086	33.14	11
GU92201070	34.10	14
GU92201220	34.43	16
GU92201225	34.40	10
GU92204217	33.25	5
GU92204218	33.25	3
GU92204221	33.24	7
GU92218417	34.43	10
GU92230320	34.43	13
GU92234716	34.43	26
GU92249220	34.10	32
GU92249225	33.07	2
GU92249227	34.10	20
GU92251028	34.43	7
GU92252210	34.39	2
GU92252235	34.10	5
GU92296723	34.39	6
GU92602406	34.38	9
GU92602510	34.39	19
GU92603010	34.36	11
GU92606206	33.17	6
GU92606208	34.34	7
GU92606208	34.40	18
GU92606210	33.01	9
GU92606210	33.02	5
GU92606210	33.11	7
GU92606210	34.09	18

Code	N.Tafel	Pos.
GU92606316	33.25	16
GU92606508	34.41	3
GU92606512	34.42	14
GU92630104	33.27	19
GU92630106	33.08	27
GU92630108	33.15	5
GU92630204	33.16	14
GU92630206	33.26	26
GU92630206	33.26	5
GU92630510	33.01	3
GU92640508	33.23	19
GU92787006	33.28	6
GU92787006	33.29	11
GU93180105	34.09	21
GU93180111	33.24	13
GU93180220	34.40	9
GU93180245	34.36	22
GU93222023	33.17	4
GU93231605	33.29	14
GU93301313	33.51	15
GU93305061	33.52	22
GU93305061	34.47	15
GU93450126	33.28	15
GU93450224	33.29	3
GU94321079	34.39	24
GU94321099	34.09	6
GU94321105	34.41	4
GU95004210	33.31	4
GU95005306	33.17	3
GU95005306	33.23	28
GU95005308	33.28	23
GU95005308	34.09	22
GU95005310	33.15	7
GU95005311	33.51	4
GU95005330	33.08	26
GU95008205	33.30	16
GU95008206	34.39	23
GU95008208	33.01	6
GU95008208	34.46	3
GU95008210	33.01	8
GU95008210	33.02	6
GU95008210	34.09	17
GU95008305	33.18	20
GU95008306	33.19	20
GU95008306	33.27	21
GU95020105	33.03	10
GU95021104	33.19	19
GU95021105	33.18	21
GU95021206	33.17	5
GU95021206	33.28	8
GU95021206	33.29	10
GU95100059	33.26	24
GU95100059	33.31	13
GU95100116	34.47	12
GU95100125	34.45	11
GU95100141	33.12	14
GU95100141	33.15	14
GU95100244	34.38	29
GU95100309	34.39	27
GU95100602	34.39	25
GU95100709	34.34	21
GU95129115	34.38	22
GU95129180	34.34	27
GU95129180	34.36	13
GU95129181	33.11	6
GU95187006	34.39	13
GU95401215	33.26	10

Code	N.Tafel	Pos.
GU95500222	34.41	6
GU95780271	34.41	5
GU96451316	33.27	15
GU96451430	34.34	3
GU96451560	34.34	2
GU96506042	34.36	5
GU96508055	34.10	12
GU96508055	34.34	4
GU96510181	34.36	15
GU96510214	34.36	14
GU97202325	33.18	26
GU98054422	34.38	28
GU98082435	34.46	2
GU98082565	33.02	7
GU98084314	34.39	12
GU98084316	34.40	7
GU98110007	33.23	23
GU98110199	33.01	7
GU98230510	33.16	4
GU98230510	33.18	19
GU98230612	34.44	7
GU98252420	33.06	23
GU98252420	33.26	32
GU98257410	33.27	18
GU98257618	34.44	15
GU98310609	34.47	11
GU98350215	33.29	12
GU98350416	33.01	5
GU98370412	33.19	4
GU98370515	33.14	17
GU98370609	33.17	2
GU98370609	33.23	27
GU98370616	33.12	20
GU98370616	33.13	9
GU98370616	33.31	7
GU98370625	33.14	4
GU98370625	33.26	7
GU98370655	33.28	7
GU98370655	33.29	9
GU98370835	33.15	8
GU98370845	33.13	3
GU98620335	34.39	7
GU98622322	34.47	9
GU98680350	33.08	30
GU98680435	34.40	15
GU98680435	34.42	19
GU98680450	34.40	16
GU98680545	34.09	16
GU98680555	33.01	10
GU98682212	33.30	15
GU98682212	33.31	12
GU98682212	34.45	5
GU98682325	34.34	11
GU98682325	34.35	3
GU98682330	34.35	4
GU98682330	34.40	14
GU98682330	34.42	18
GU98682414	33.01	12
GU98682416	33.32	7
GU98682430	33.12	9
GU98682530	33.01	2
GU98690335	33.18	13
GU98690440	33.23	17
GU98692318	33.11	2
GU98692325	33.18	9
GU98692325	34.36	16
GU98692420	33.01	19

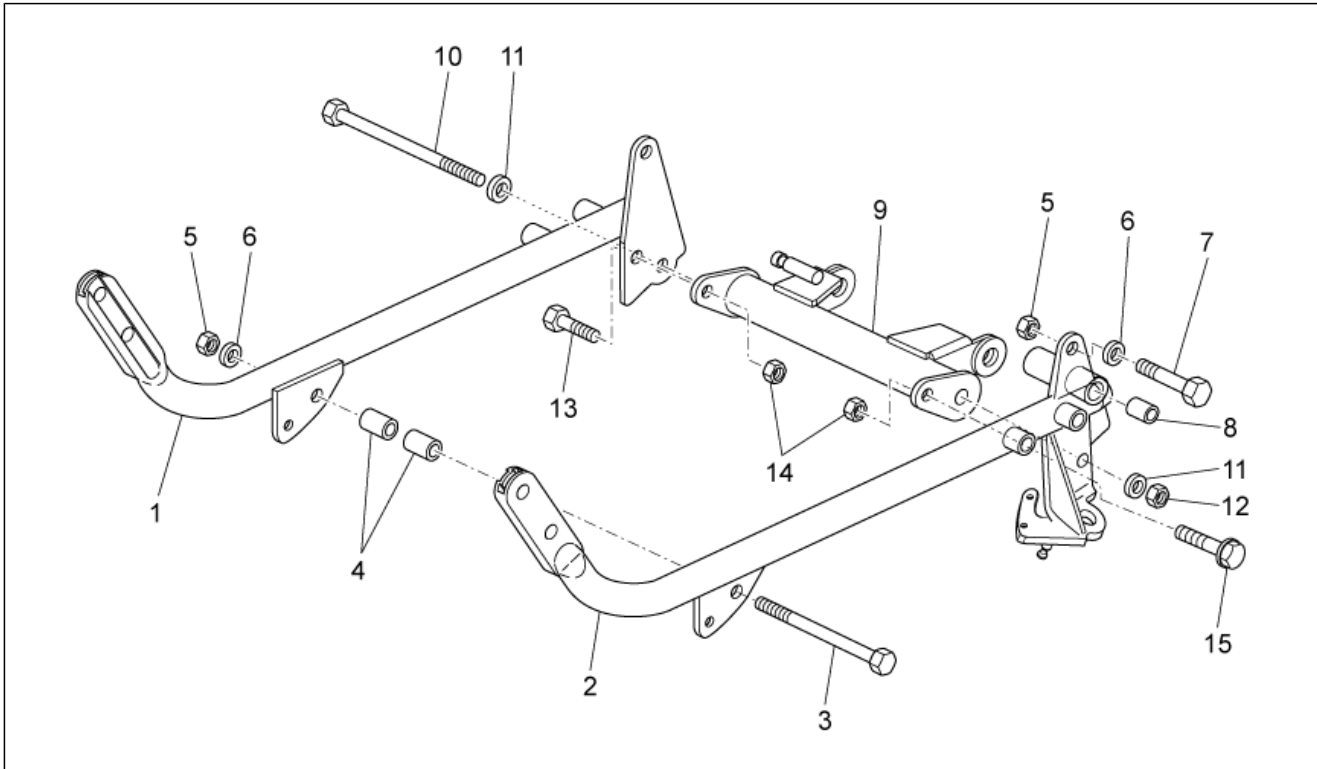
Code	N.Tafel	Pos.
GU98692420	33.28	22
GU98880540	33.28	21
GU98882316	34.38	21

Groep	FRAME
Code	33.01
Beschrijving	Frame I
Revisie	1



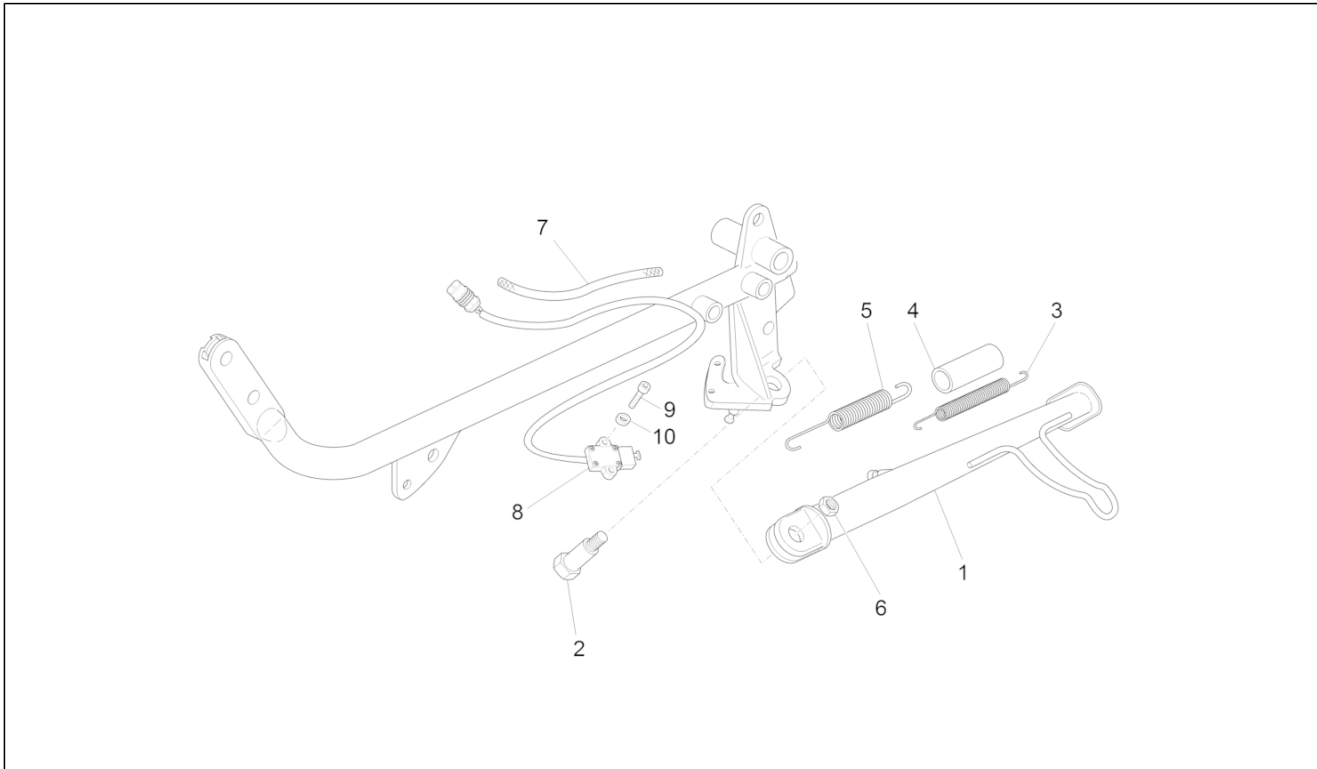
Pos.	Code	Beschrijving	Aant.	Varianten
1	B063251	Frame v.rood	1	
2	GU98682530	Binnenzeskantbout M10x30	4	
3	GU92630510	Moer M10x1,5	4	
4	B063287	Verbindingsplaat frame	1	
5	GU98350416	Bolbout met binnenzeskant M8x16	4	
6	GU95008208	Sluitring 8,4X15X1,5	4	
7	GU98110199	Pin M10x205	1	
8	GU95008210	Sluitring 10,2X18X2	11	
9	GU92606210	Moer M10x1,5	2	
10	GU98680555	Bout M10x55	2	
11	886645	Plaatje	2	
12	GU98682414	Binnenzeskantbout	2	
13	GU01103860	Spons	1	
14	GU66103415	Rubbertje	2	
15	AP8144606	Pakking 10X5	1	
16	AP8221172	Kabelgeleider	1	
17	2B000843	Houder geluidsdemper DX	1	
18	2B000844	Houder geluidsdemper SX	1	
19	GU98692420	Binnenzeskantbout M8x20	4	
20	AP8220590	Pakking	1	
21	GU03468100	Bout	1	

Groep	FRAME
Code	33.02
Beschrijving	Frame II
Revisie	1



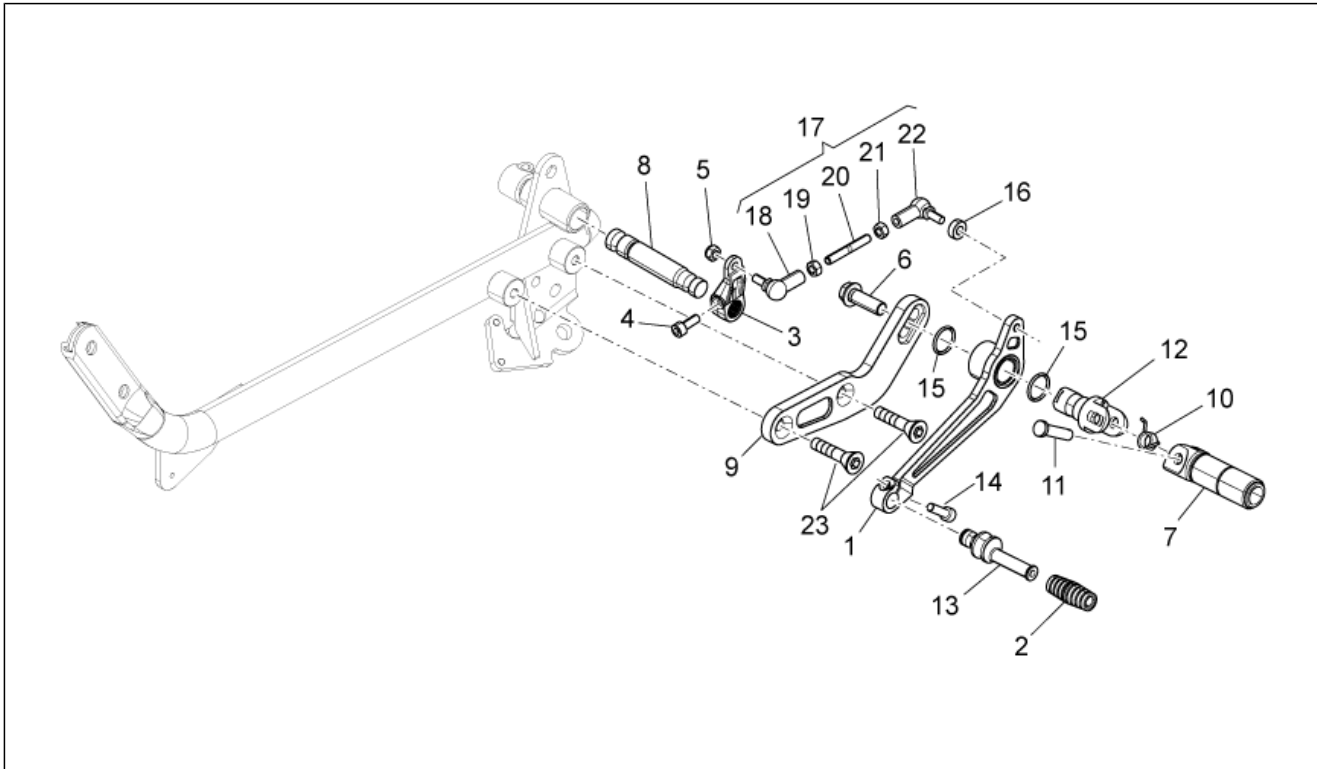
Pos.	Code	Beschrijving	Aant.	Varianten
1	B063249	Steun re	1	
2	B063250	Steun li	1	
3	GU53429500	Pin M10x250	1	
4	GU19017000	Beslagring	2	
5	GU92606210	Moer M10x1,5	3	
6	GU95008210	Sluitring 10,2X18X2	3	
7	GU98082565	Bout M10x65	2	
8	GU28252060	Huls 18 mm est.	2	
9	GU32431310	Balk armen steun	1	
10	AP8121367	Pin M10x260	1	
11	AP8152220	Gekart. sluitring	2	
12	AP8150436	Zelfborg. moer laag	1	
13	AP8152287	Zeskantbout geflenst M8x25	1	
14	AP8152300	Zelfborg.bout gefl. M8	1	
15	AP8152288	Zeskantbout geflenst	1	

Groep	FRAME
Code	33.03
Beschrijving	Lateral stand
Revisie	1



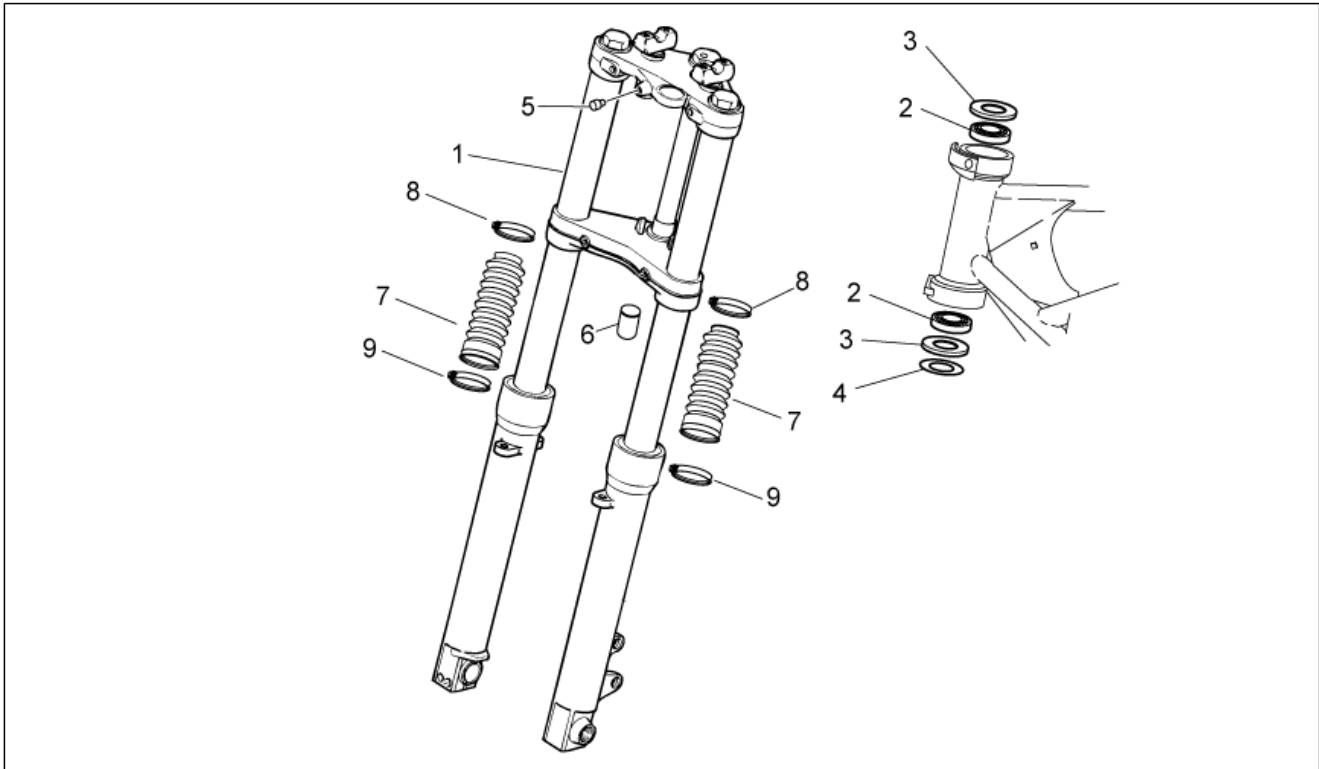
Pos.	Code	Beschrijving	Aant.	Varianten
1	B063086	Laterale standaard	1	
2	AP8121375	Bout standaard	1	
3	AP8121014	Spiraalveer cilind.aandr.	1	
4	AP8102524	Bescherming veer standaard	1	
5	AP8221197	Trekveer standaard	1	
6	967356	Moer geflenst M10x1,25	1	
7	GU00823923140	Thermische gaine	1	
8	AP8127856	Schakelaar standaard	1	
9	1C001499	Vite TBEI TORX M5x16 INOX	2	
10	GU95020105	Sluitring 5,3x8,9x2,4	2	

Groep	FRAME
Code	33.06
Beschrijving	Gear lever
Revisie	1



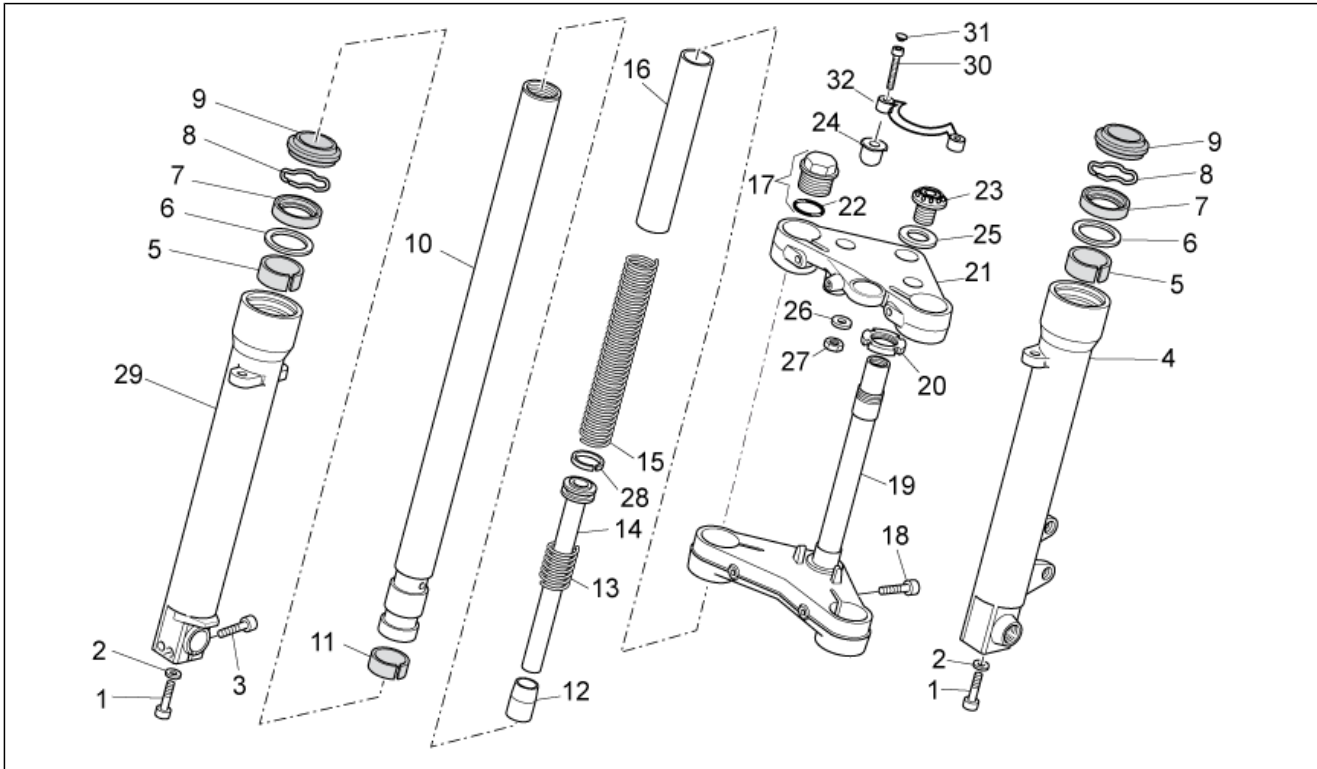
Pos.	Code	Beschrijving	Aant.	Varianten
1	898282	Versnellingshendel	1	
2	AP8120912	Rubbetje voor hendel	1	
3	898283	Gear change lever	1	
4	AP8150137	Binnenzeskantbout M6x16	1	
5	AP8150115	Zelfborg. moer laag M6	1	
6	AP8152320	Zeskantbout geflenst	1	
7	898281	Voetensteun bestuurder	1	
8	GU32251610	Pin hendel	1	
9	898284	Plaat voetensteun bestuurder	1	
10	AP8221277	Trekveer voetensteun	1	
11	GU23442210	Pin	1	
12	898611	Steun voetenst. bestuurder li	1	
13	886665	Pin	1	
14	AP8150044	Binnenzeskantbout M6x20	1	
15	AP9100477	O-ring 18x2	2	
16	886668	Afstandhouder	1	
17	887280	Trekker commando versn.bak	1	
18	AP8210007	Sfeervormig buigpunt re M6	1	
19	AP8150026	Moer M6	1	
20	856796	Staaft overbrenging versnellingsbak	1	
21	AP8152138	Moer	1	
22	AP8110053	Sfeervormig buigpunt li M6	1	
23	GU98252420	Binnenzeskantbout met verzonken kop M8x20	2	

Groep	FRAME
Code	33.07
Beschrijving	Front fork I
Revisie	1



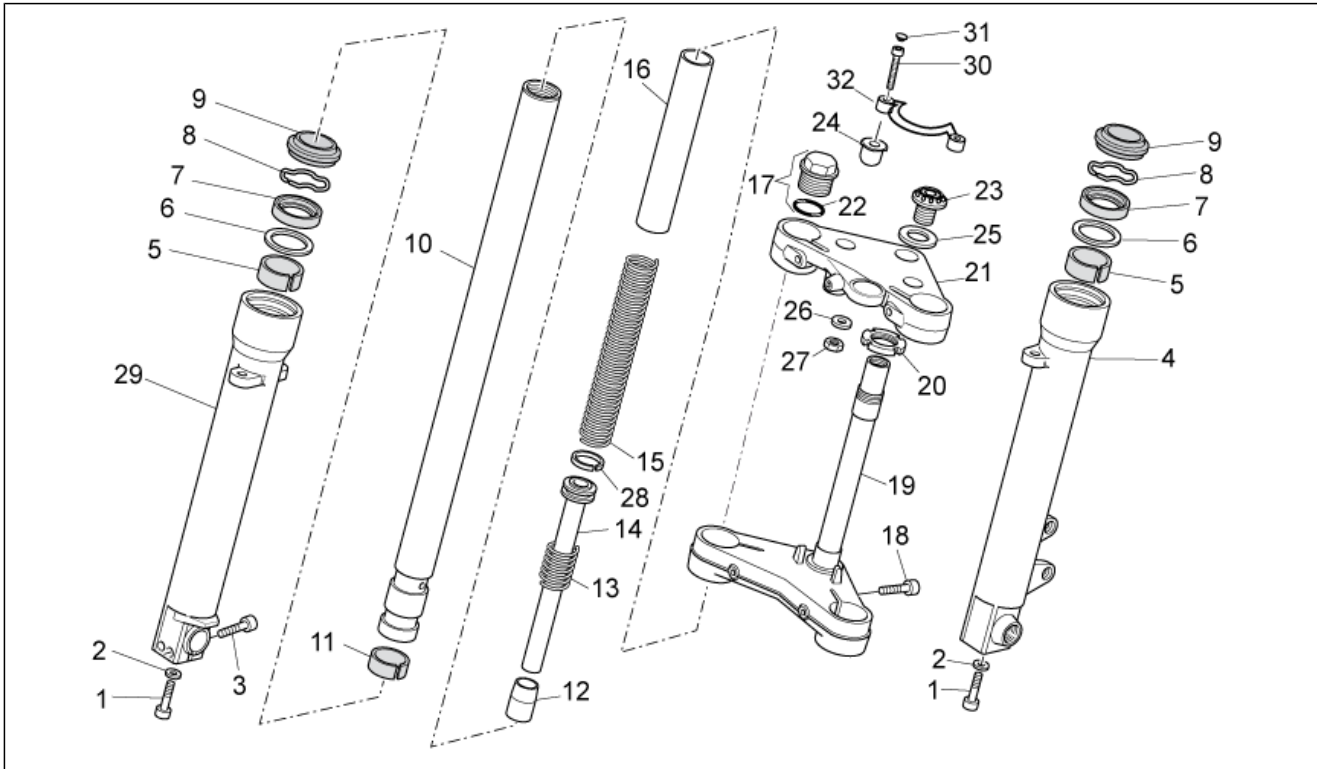
Pos.	Code	Beschrijving	Aant.	Varianten
1	2B000560	Voorvork cpl.	1	
2	GU92249225	Conische kogellager	2	
3	AP8144146	Dichtingsring	1	
4	AP8121307	Sluitring	1	
5	AP8144081	Rubbertje	1	
6	AP8220460	Plaatje in rubber	1	
7	898086	Blower vork	7	
8	CM001929	Buisklem 63.5	2	
9	CM001928	Klembandje buis 44	2	

Groep	FRAME
Code	33.08
Beschrijving	Front fork II
Revisie	1



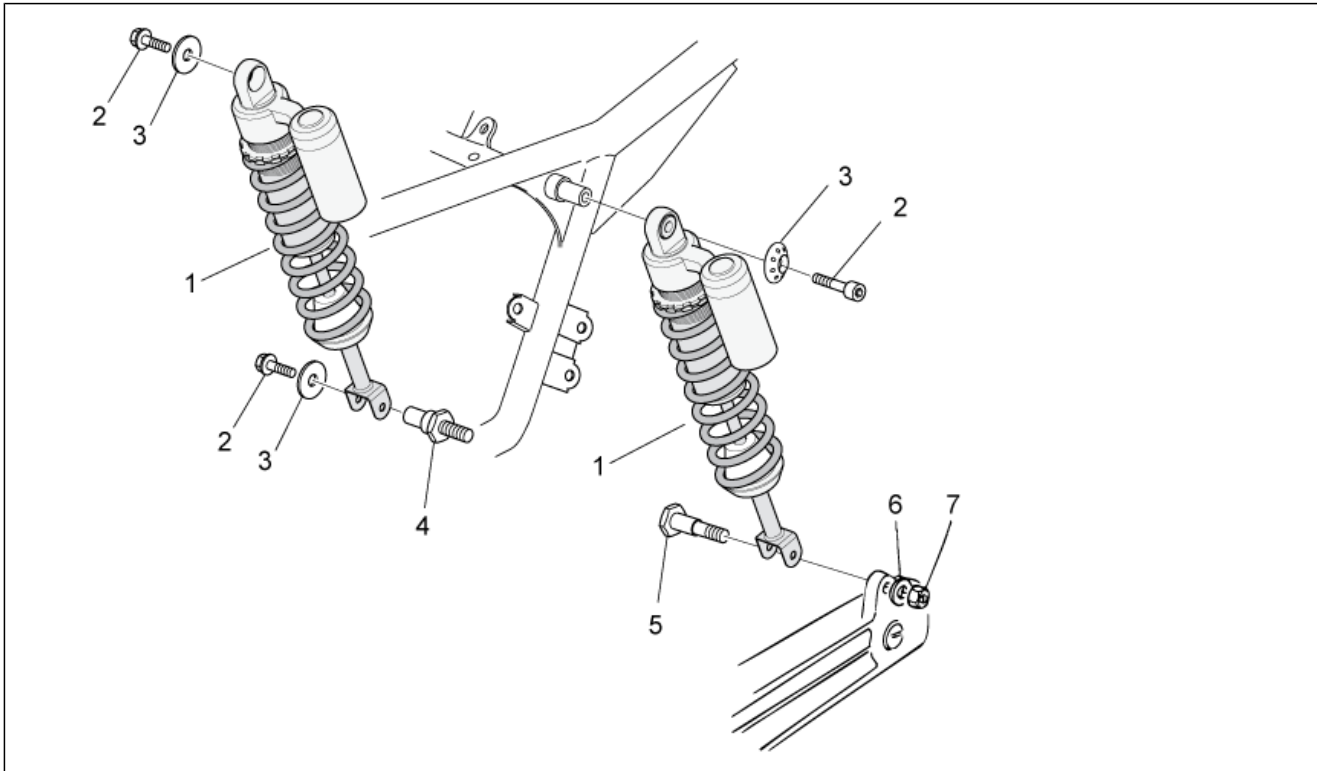
Pos.	Code	Beschrijving	Aant.	Varianten
1	887878	Bout M10x30	2	
2	887879	Sluitring	2	
3	887880	Bout	2	
4	2R000110	Hulsel li	1	
5	887882	Huls bov.	2	
6	887883	Sluitring	2	
7	887884	Dichtingsring	2	
8	887885	Blokkeerring	2	
9	887886	Stofkeerring	2	
10	887887	Stang	2	
11	887888	Huls	2	
12	887889	Buffer	2	
13	887890	Tegenveer	2	
14	887891	Pompend deel cpl.	2	
15	887892	Veer	2	
16	887893	Buis	2	
17	887894	Dop cpl.	2	
18	887895	Bout	2	
19	887896	Basis met kop	1	
20	GU31513480	Moer M25X1	1	
21	886842	Plaat bov.vork	1	
22	887916	OR-ring 4118	2	
23	887900	Moer	1	
24	883552	Huls	2	
25	887899	Sluitring	1	
26	GU95005330	Sluitring 6,4x30x1,5	2	
27	GU92630106	Moer M6x1	2	
28	887905	Segment	2	

Groep	FRAME
Code	33.08
Beschrijving	Front fork II
Revisie	1



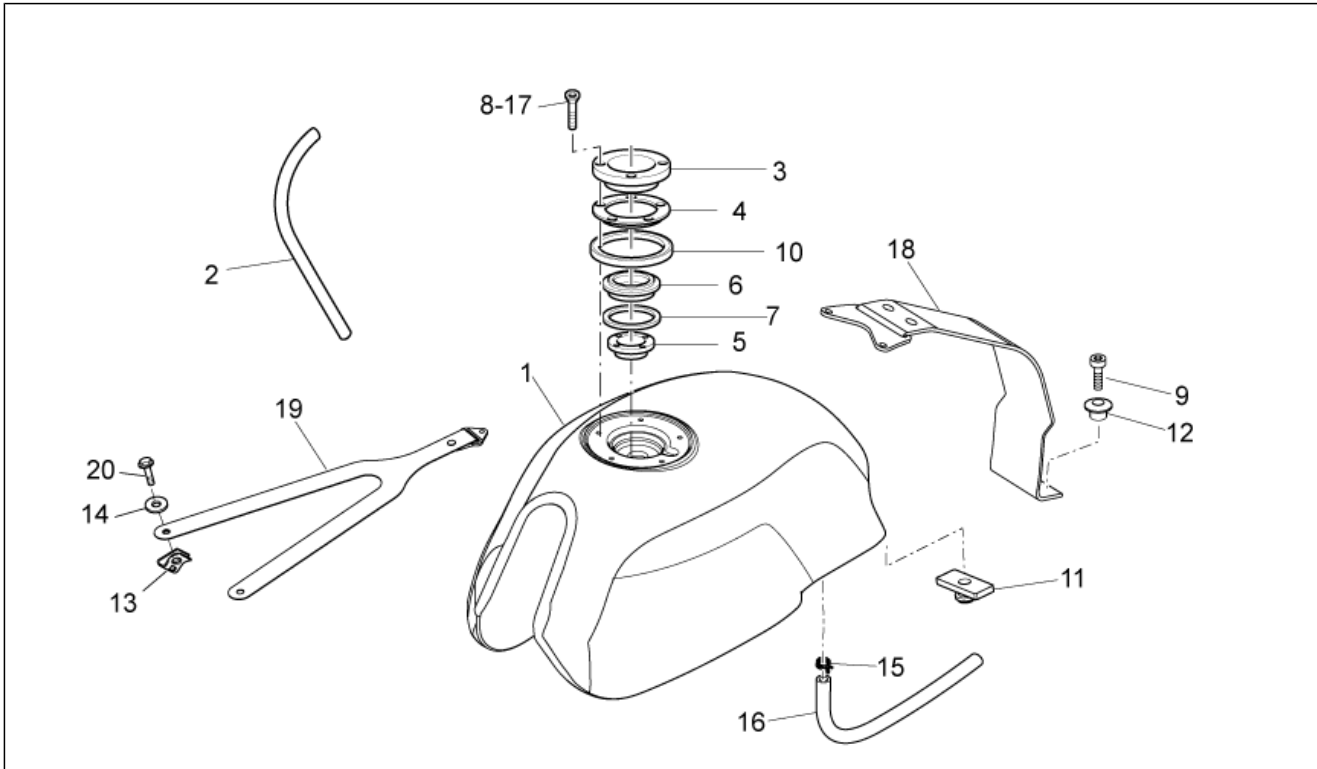
Pos.	Code	Beschrijving	Aant.	Varianten
29	2R000109	Hulsel re	1	
30	GU98680350	Binnenzeskantbout M6x50	2	
31	GU23943410	Dop verchr.	8	
32	883602	Buisje	1	

Groep	FRAME
Code	33.11
Beschrijving	Rear shock absorber
Revisie	1



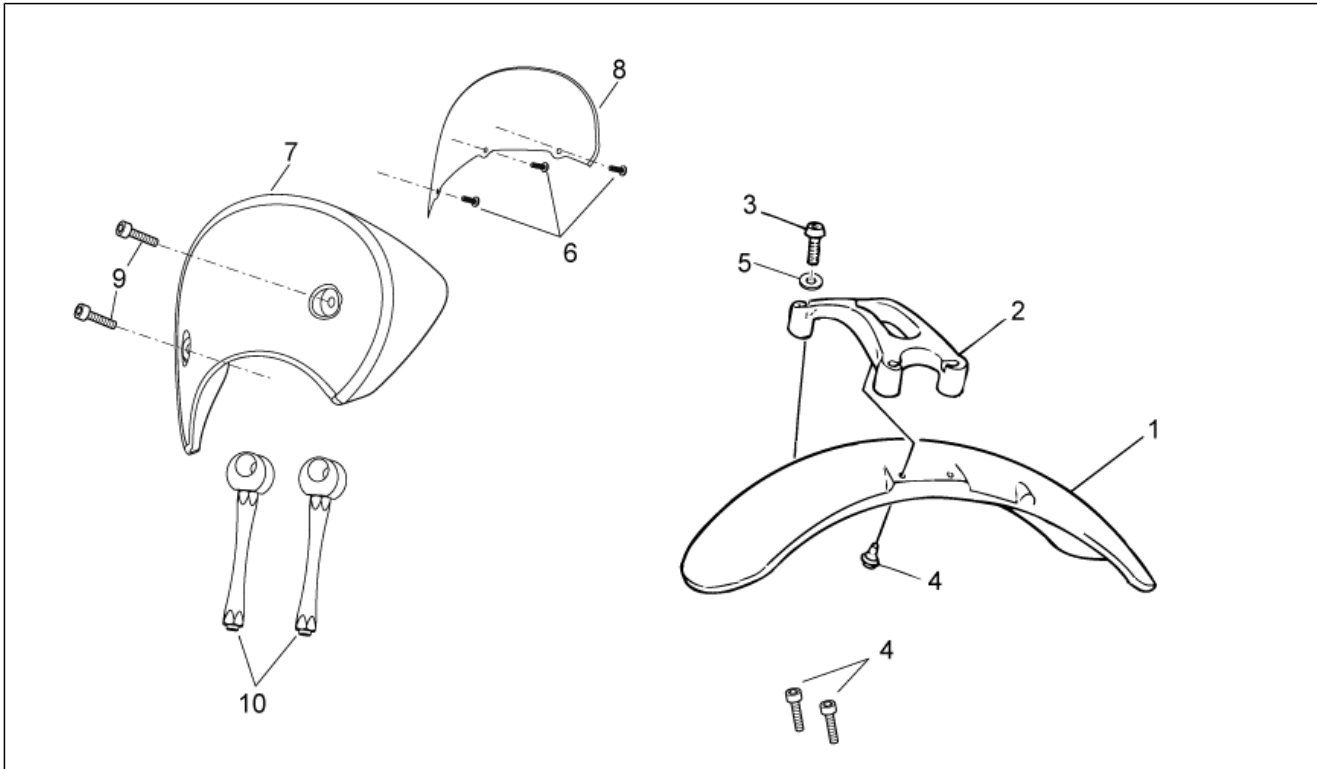
Pos.	Code	Beschrijving	Aant.	Varianten
1	886675	Schokdemper acht.	2	
2	GU98692318	Binnenzeskantbout	3	
3	886630	Huls	3	
4	GU32555210	Pin	1	
5	GU32555211	Pin	1	
6	GU95129181	Sluitring gegolfd	1	
7	GU92606210	Moer M10x1,5	1	

Groep	FRAME
Code	33.12
Beschrijving	Fuel tank
Revisie	1



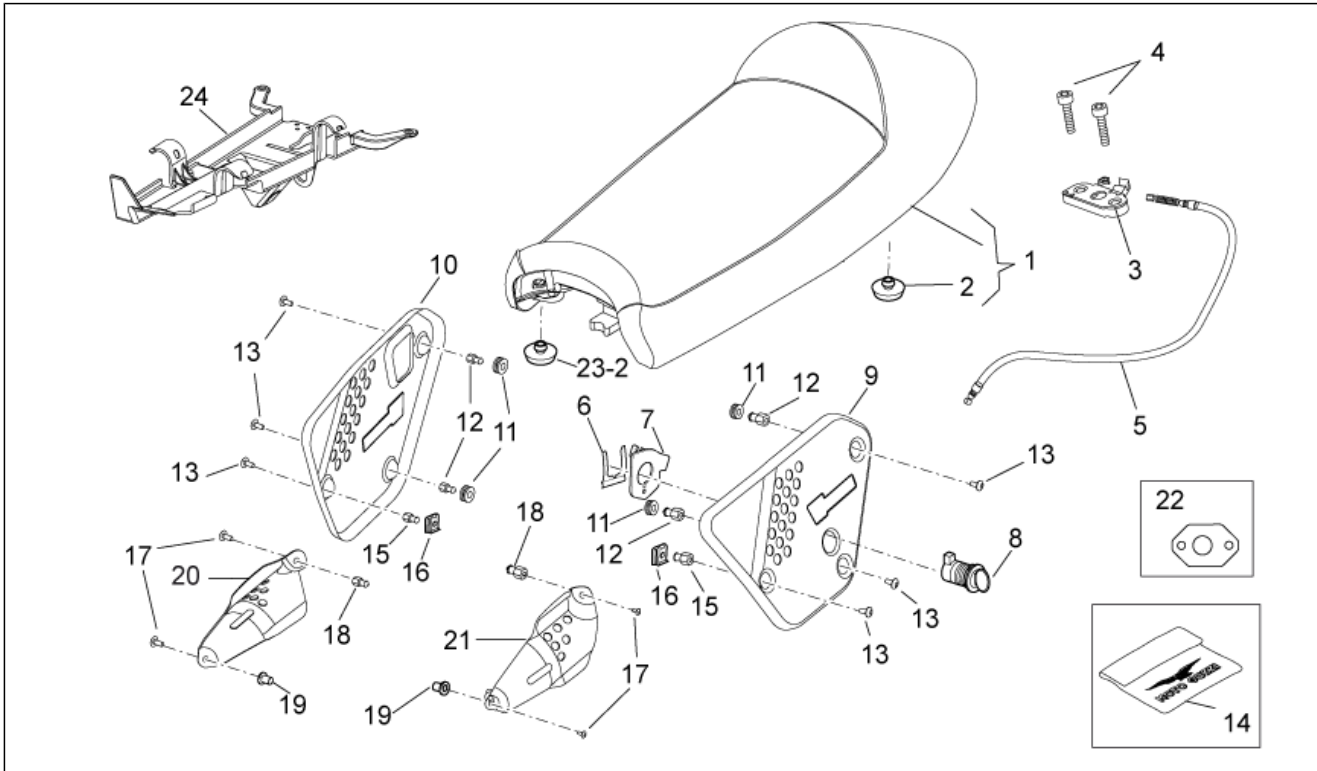
Pos.	Code	Beschrijving	Aant.	Varianten
1	2H000419	Brandstoftank verchr.	1	Technische specificatie:Decal[D]
1	2H000420	Brandstoftank verchr.	1	LAND:China[CN] Technische specificatie:Decal[D]
1	887207	Tank ruwe benzine	1	Kleur van het voertuig:Onbewerkt[GR]
1	887944	Brandstoftank ruw metal	1	LAND:China[CN]
2	GU00823931070	Pakking	1	
3	GU03101900	Flens	1	
4	GU03103500	Ring	1	
5	883502	Reductie 24 mm	1	LAND:China[CN]
5	GU03101720	Reductie 38 mm	1	
6	GU03102200	Moer dop	1	
7	GU03101600	Pakking	2	
8	AP8150416	Binnenzeskantbout	3	
9	GU98682430	Binnenzeskantbout M8x30	1	
10	GU03102400	Pakking flens	1	
11	AP8120557	Rubbertje tank	1	
12	AP8121673	'T'-vormige huls *	1	
13	GU28576591	Clip M6	2	
14	GU95100141	Sluitring 6,4x12x1,2	2	
15	AP8101595	Klemmetje D10,1	1	
16	GU00823944050	Buis 5X9	1	
17	GU03103200	Bout	2	
18	B063154	Riem acht.	1	
19	B063152	riem voor.	1	
20	GU98370616	Bolbout met binnenzeskant M6x16 inox	2	

Groep	FRAME
Code	33.13
Beschrijving	Front body - Front mudguard
Revisie	1



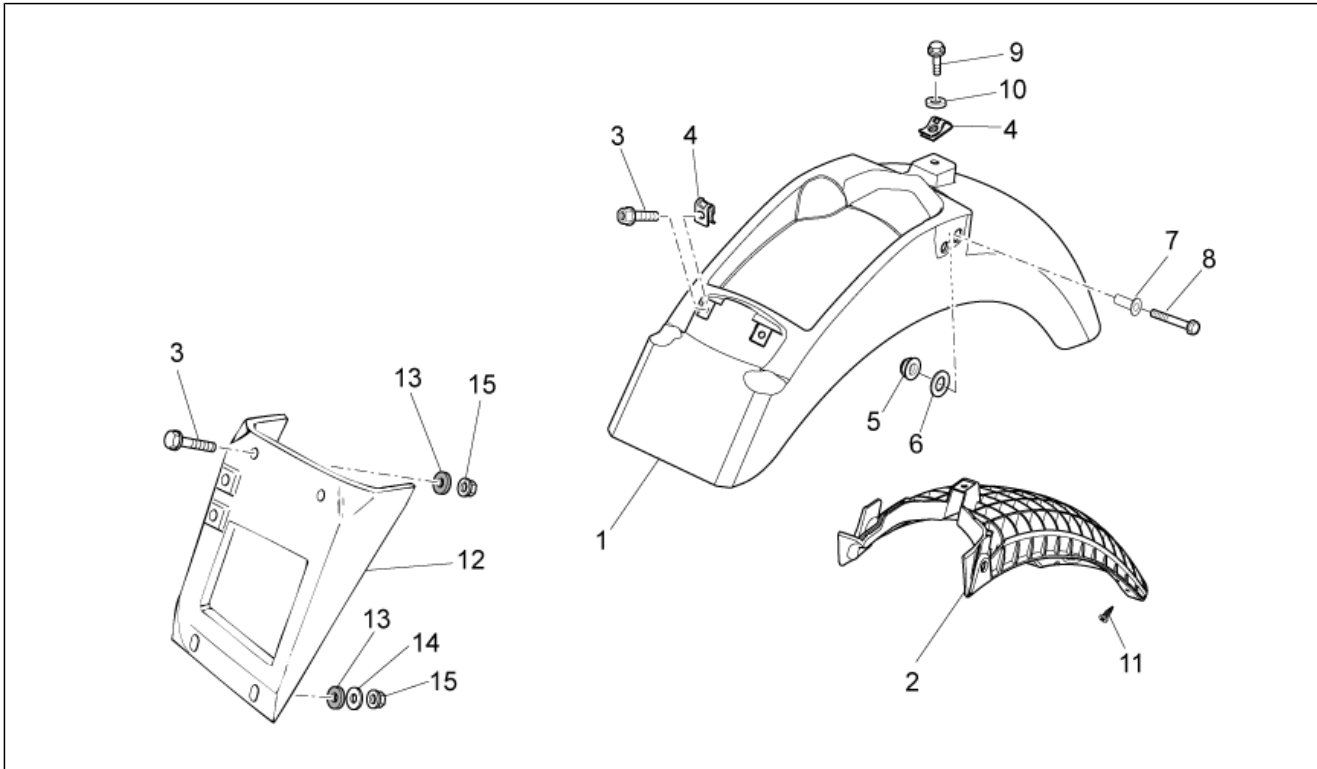
Pos.	Code	Beschrijving	Aant.	Varianten
1	88673000Y02	Spatbord voor.v.zwart	1	
2	883266	Stabiliseerplaat	1	
3	GU98370845	Bolbout met binnenzeskant	4	
4	GU31439565	Speciale bout	4	
5	GU14615901	Sluitring 8,4X13X0,8	4	
6	AP8150413	Zelftap. bout 3,9x14	3	
7	2H000421000Y02	Kapje zwart	1	Technische specificatie: Decal[D]
7	898179	Kapje ruw	1	
8	898180	Glas kapje	1	
9	GU98370616	Bolbout met binnenzeskant M6x16 inox	2	
10	886724	Steun kapje	2	

Groep	FRAME
Code	33.14
Beschrijving	Saddle-Central bod
Revisie	1



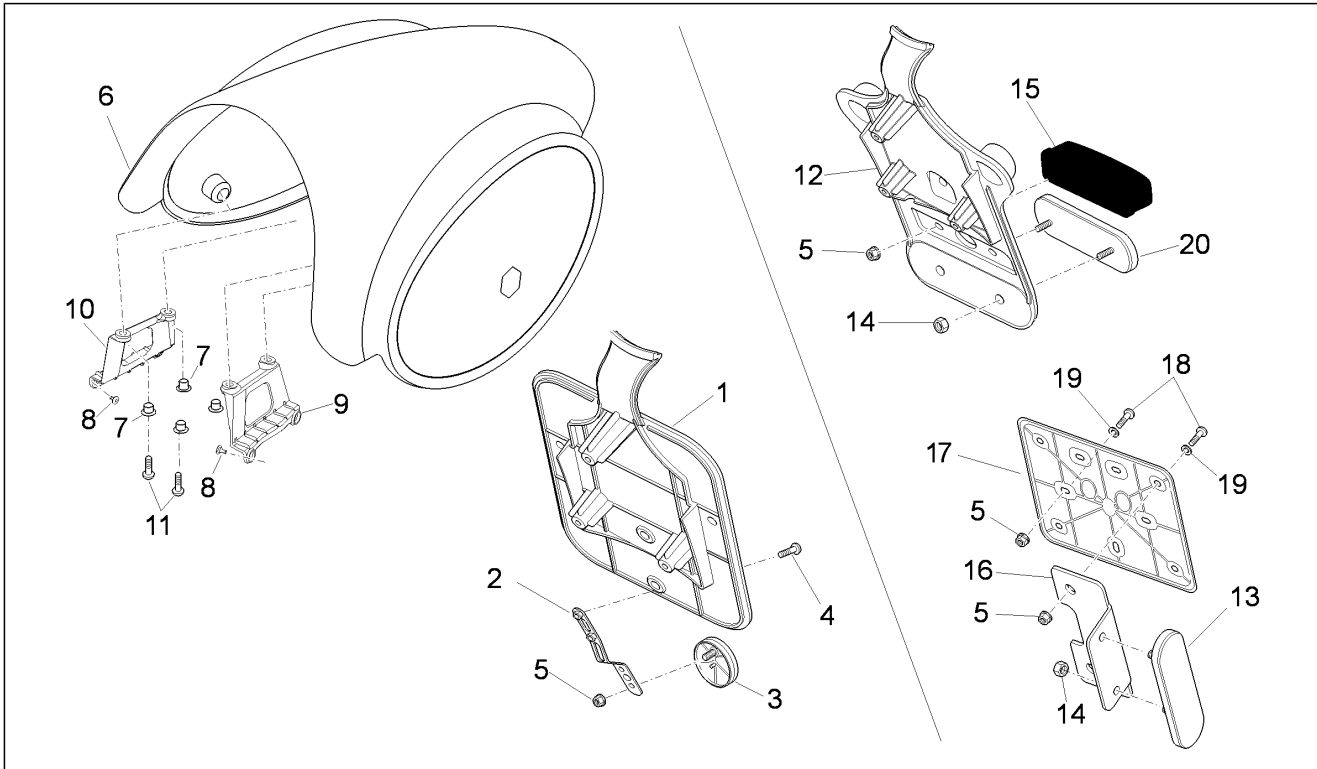
Pos.	Code	Beschrijving	Aant.	Varianten
1	89817800A3	Zadel bruin	1	
2	GU32461610	Rubbertje	8	
3	AP8102913	Koppelingsplaat zadel pass.	1	
4	GU98370625	Bolbout met binnenzeskant	2	
5	883295	Kabel slot zadel	1	
6	AP8121420	Vorkveer	1	
7	978415	Plaatje steun kabel	1	
8	977527	Slot compleet met sleutels	1	
9	2B000839	Zijplaatje li	1	Technische specificatie: No decals[ND]
10	2B000838	Zijplaatje re	1	Technische specificatie: No decals[ND]
11	GU91551086	Rubbertje	4	
12	886368	Bevestigingspin	4	
13	976614	Bolbout met binnenzeskant M5x15	6	
14	886841	zakje bescherming zadel	1	
15	886706	Bevestigingspin	2	
16	254485	Spring plate M6	2	
17	GU98370515	Bout	4	
18	AP8120531	Rubbertje met inzetstuk	2	
19	886727	Bevestigingspin	2	
20	2B000841	smoorklepbedekking re	1	
21	2B000842	smoorklepbedekking li	1	
22	886820	Plaatje slot zadel	1	
23	B063429	Rubbertje	2	
24	B063431	Wand	0	

Groep	FRAME
Code	33.15
Beschrijving	Rear body I- Mudguard
Revisie	1



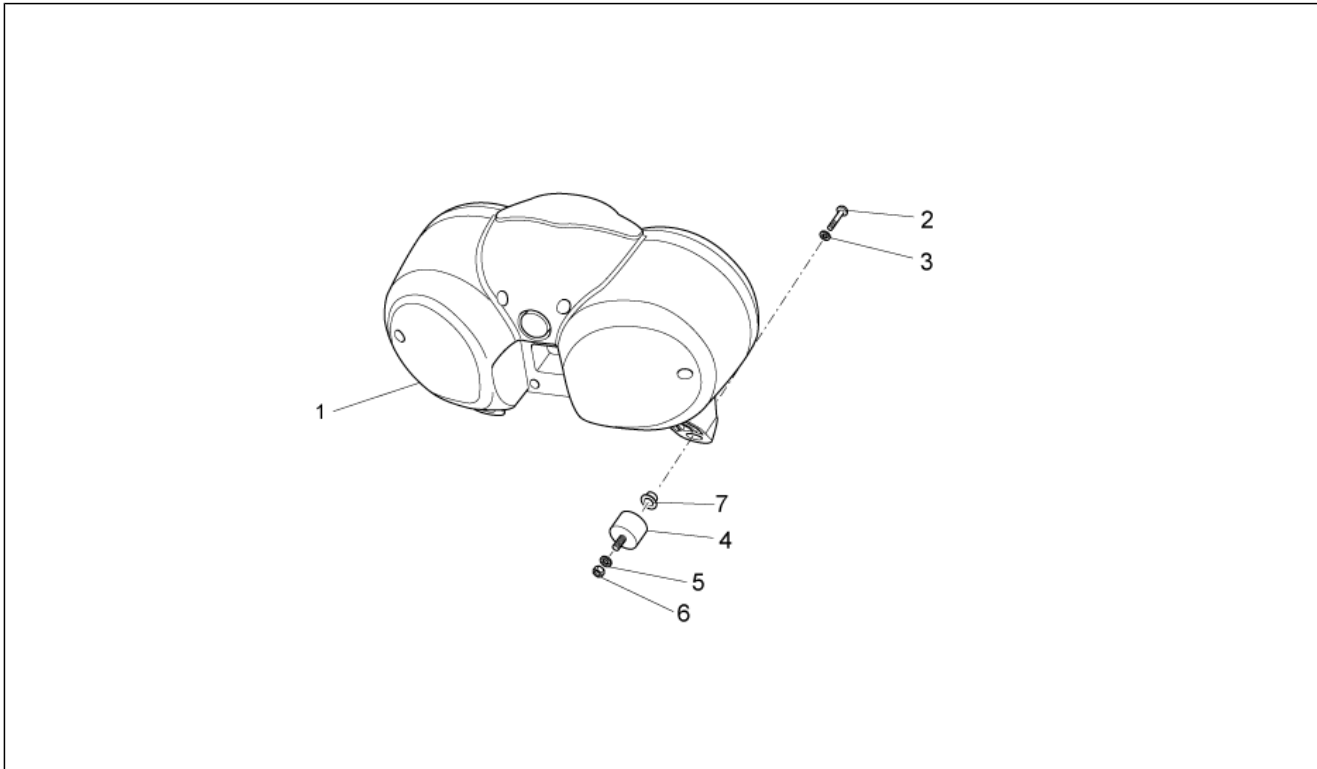
Pos.	Code	Beschrijving	Aant.	Varianten
1	97894600Y02	Spatbord acht.zwart	1	
2	978947	Versterking	1	
3	AP8152278	Zeskantbout geflenst M6x16	4	
4	GU28576591	Clip M6	3	
5	GU92630108	Moer	2	
6	GU91120806	Afstandhouder	2	
7	GU95005310	Sluitring 8,4x18x2	2	
8	GU98370835	Bout	2	
9	AP8152279	Zeskantbout geflenst M6x20	2	
10	GU91180601	Afstandhouder 6,2x8x3	2	
11	AP8152329	Bout SWP kruiskop gefl. M5x20	3	
12	B063167	Spatbordjes	1	
13	AP8121032	Huls	4	
14	GU95100141	Sluitring 6,4x12x1,2	2	
15	AP8152299	Zelfborg.bout gefl. M6	4	

Groep	FRAME
Code	33.16
Beschrijving	Rear body II- Plate holder
Revisie	1



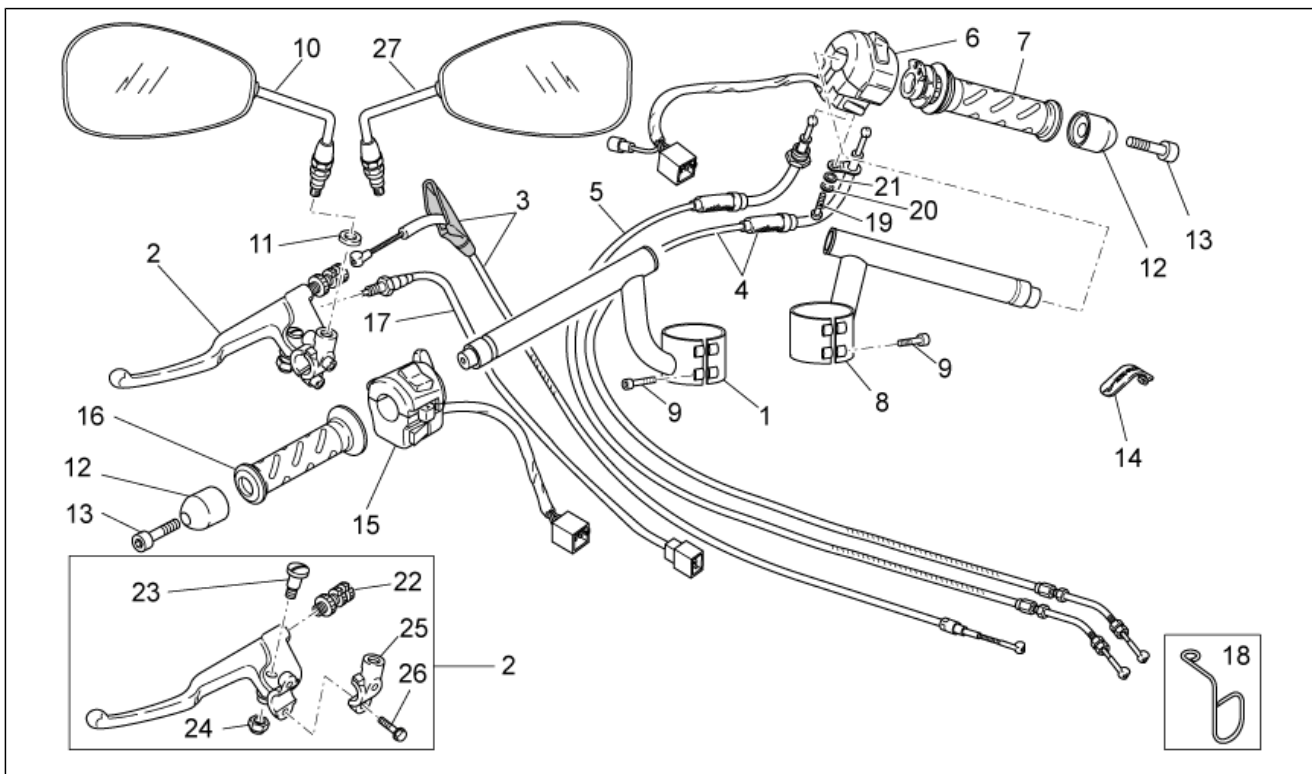
Pos.	Code	Beschrijving	Aant.	Varianten
1	978949	Nummerplaathouder	1	LAND:Australië[AA], europa[EU], Groot-Brittanië[UK]
2	AP8134448	Houder reflector	1	
3	AP8224164	Reflector rood	1	
4	GU98230510	Bolbout met binnenzeskant	2	
5	AP8152306	Zelfborg.bout gefl. M5	1	
6	2H000422000Y02	Eindstuk	1	
6	898280	Eindstuk ruw	1	
7	AP8121929	'T'-vormige huls 6,5x8,6x9	4	
8	AP8152339	Bolbout met binnenzeskant, geflenst M5x9	4	
9	886712	Beugel li	1	
10	886713	Beugel re	1	
11	AP8152273	Geflenste bout M5x15	4	
12	883470	Nummerplaathouder	1	LAND:China[CN]
13	AP8124718	Reflector rood	2	LAND:China[CN]
14	GU92630204	Moer	6	LAND:China[CN]
15	883480	Licht nummerplaat	1	LAND:China[CN]
16	GU32781910	Houder reflector	2	LAND:China[CN]
17	AP8149034	Steun van de nummerplaat	1	LAND:China[CN]
18	AP8152268	Speciale bolbout met binnenzeskant M5x16	2	LAND:China[CN]
19	AP8150248	Sluitring 5,5x15x1,6	2	LAND:China[CN]
20	GU05781630	Reflector amber	1	LAND:China[CN]

Groep	FRAME
Code	33.17
Beschrijving	Dashboard
Revisie	1



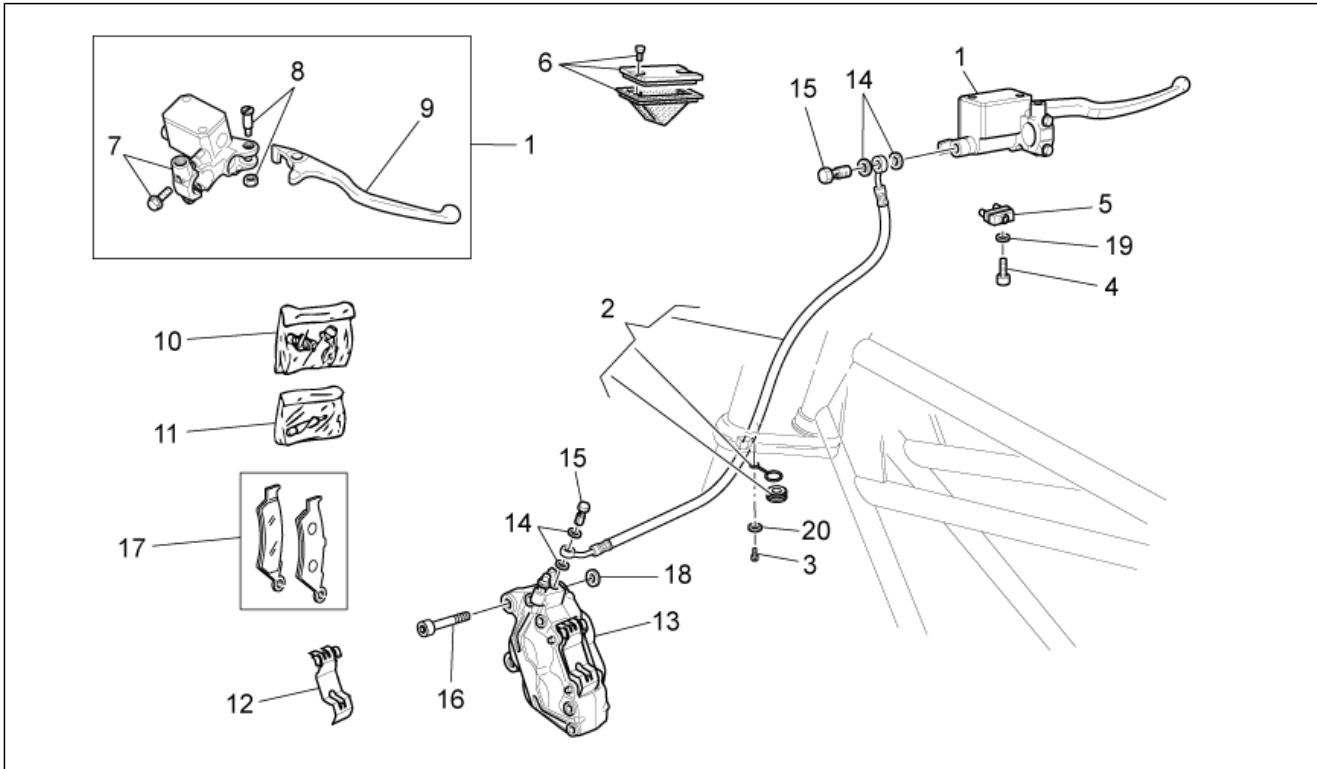
Pos.	Code	Beschrijving	Aant.	Varianten
1	887194	Dashboard cpl. km/h	1	
2	GU98370609	Bolbout met binnenzeskant M6x10	3	
3	GU95005306	Sluitring 6,4x13x1,5	3	
4	GU93222023	Silent-block	3	
5	GU95021206	Sluitring	3	
6	GU92606206	Moer	3	
7	AP8121032	Huls	3	

Groep	FRAME
Code	33.18
Beschrijving	Handlebar - Controls
Revisie	1



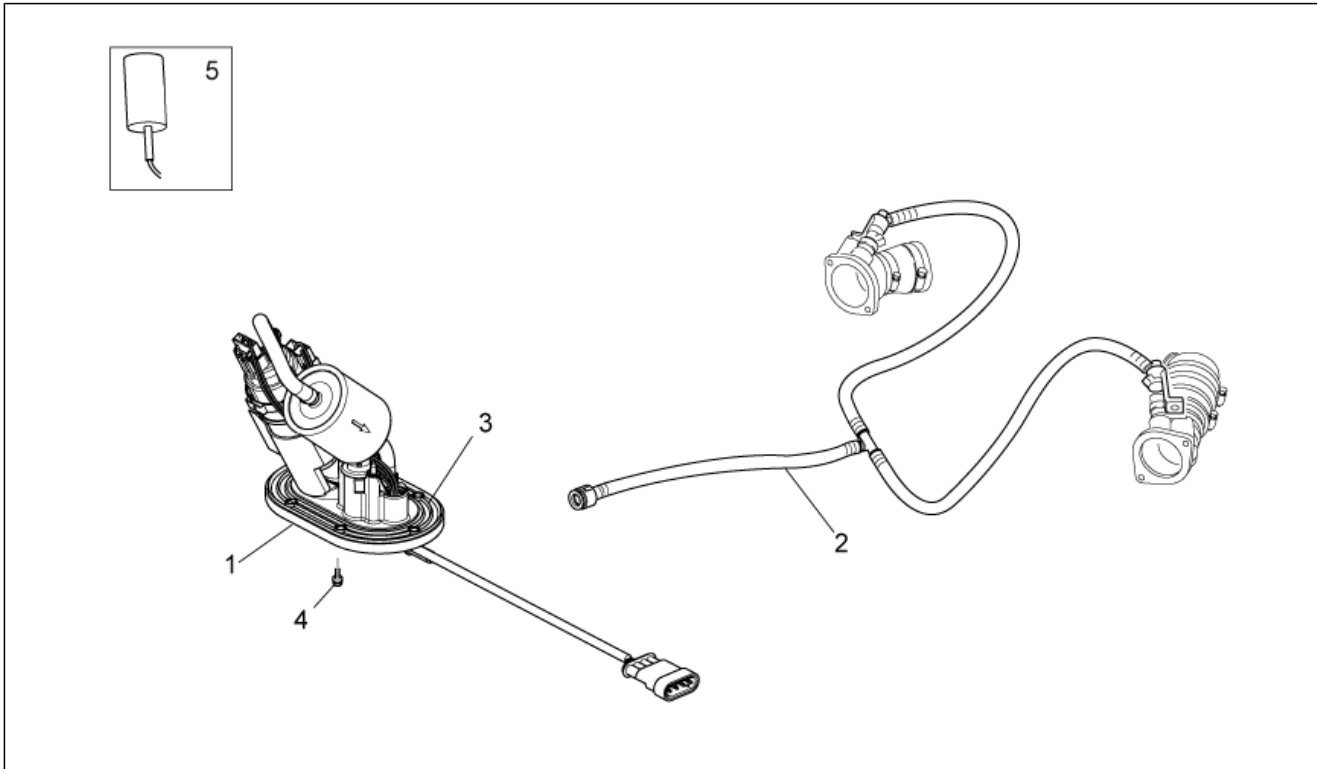
Pos.	Code	Beschrijving	Aant.	Varianten
1	B063317	Halfstuur li	1	
2	GU32605510	Koppelingshendel	1	
3	883940	Kabel koppeling	1	
4	B063247	Kabel opening gas	1	
5	B063248	Kabel sluiting gas	1	
6	B063135	Schak.lichten re	1	
7	GU32603310	Handvat re	1	
8	B063326	Halfstuur re	1	
9	GU98692325	Binnenzeskantbout M6x25	4	
10	2B001049	Achteruitkijkspiegel li	1	
11	GU91181003	Afstandhouder 10,25X20X4	2	
12	GU32602860	Antitrilgewicht v.cromo	2	
13	GU98690335	Binnenzeskantbout	2	
14	GU01609630	Klemmetje L46 mm	2	
14	GU03609600	Klemmetje L36 mm	1	
15	B063975	Schak.lichten li	1	
16	GU32603010	Handvat li	1	
17	GU29759150	Schakelaar standaard	1	
18	AP8221172	Kabelgeleider	1	
19	GU98230510	Bolbout met binnenzeskant	1	
20	GU95008305	Sluitring 5,3X10X1	1	
21	GU95021105	Getande sluitring	1	
22	GU30602500	Register	1	
23	AP8213028	Bout	1	
24	AP8118490	Moer	1	
25	GU30601060	Klem	1	
26	GU97202325	Zeskantbout gefl.zwart M6x25	2	
27	2B001048	Achteruitkijkspiegel re	1	

Groep	FRAME
Code	33.19
Beschrijving	Front brake system
Revisie	1



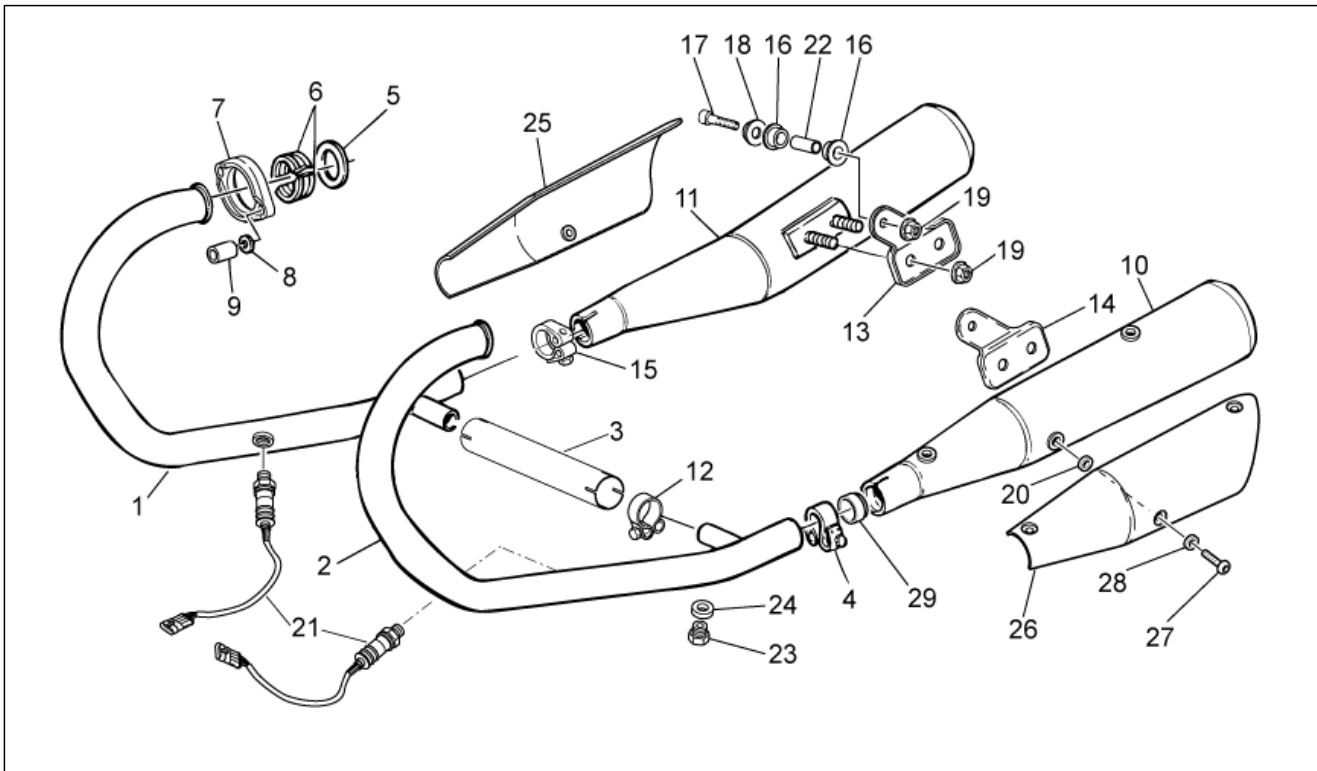
Pos.	Code	Beschrijving	Aant.	Varianten
1	GU03660145	Pomp voorrem	1	
2	883581	Remleiding	1	
3	AP8152277	Zeskantbout geflenst M6x12	1	
4	GU98370412	Bolbout met binnenzeskant M4x12	1	
5	GU03749845	Stopschakelaar	1	
6	GU03661145	Bedekking pomp	1	
7	GU03664045	Beugel	1	
8	GU03604845	Pin hendel	1	
9	GU03605645	Remhendel	1	
10	GU05659230	Ontluchting+kapje	1	
11	GU01659130	Pinnen+Veren tang	1	
12	GU01659131	Veer	1	
13	883303	Tang voorrem li zwart	1	
14	AP8113004	Sluitring 10x14x1,6*	4	
15	978323	Bout olieleiding *	2	
16	AP8152385	Binnenzeskantbout M10x1,25	2	
17	GU01654630	Pastilles - koppel	1	
18	GU91181003	Afstandhouder 10,25X20X4	2	
19	GU95021104	Sluitring 4,3x8x1,5	1	
20	GU95008306	Sluitring 6,4x12x1,2	1	

Groep	FRAME
Code	33.21
Beschrijving	Fuel pump
Revisie	1



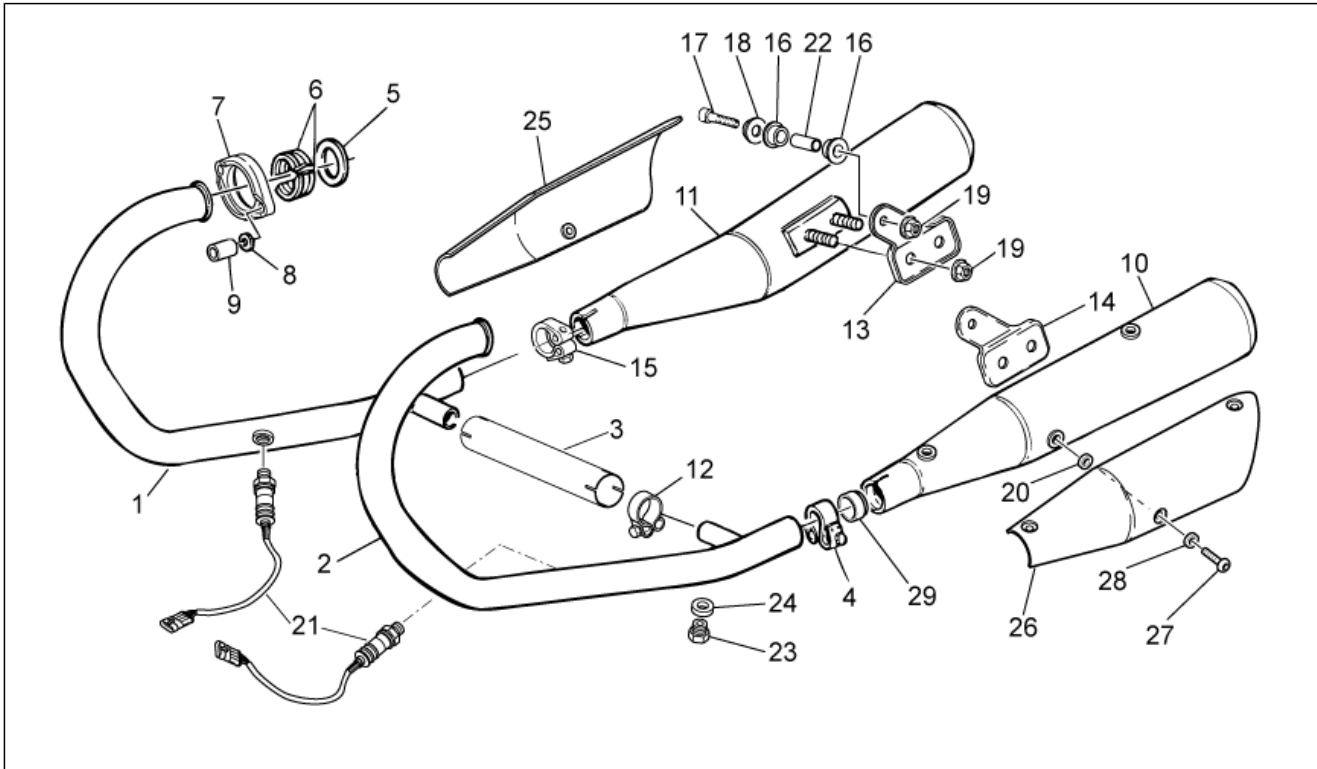
Pos.	Code	Beschrijving	Aant.	Varianten
1	B063752	Brandstofpomp	1	
2	2B000970	Benzineleiding	1	
3	GU05107430	Pakking flens	1	
4	AP8152273	Geflenste bout M5x15	6	
5	887787	Sensor benzinepeil	1	

Groep	FRAME
Code	33.23
Beschrijving	Exhaust unit
Revisie	1



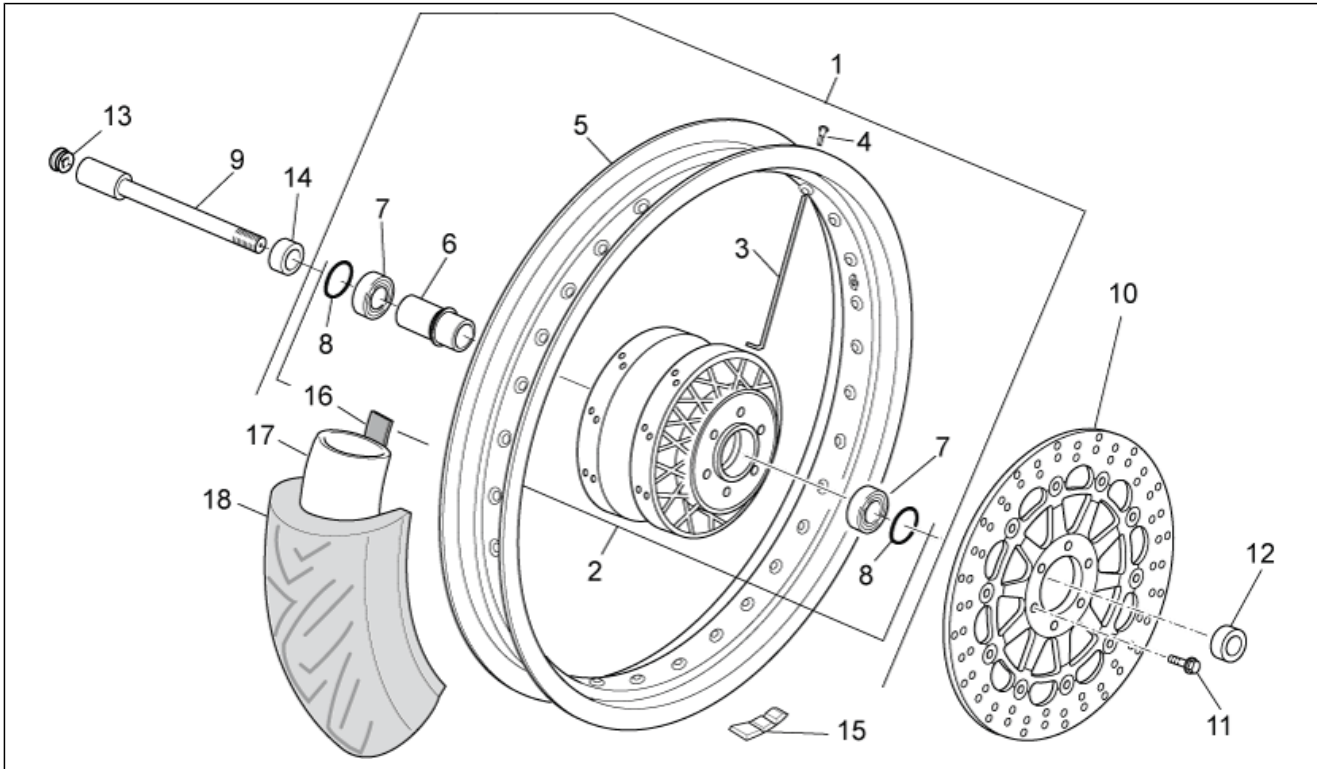
Pos.	Code	Beschrijving	Aant.	Varianten
1	887846	Buis afvoer re	1	LAND:Australië[AA], China[CN], europa[EU], Japan[J], Groot-Brittanië[UK]
1	B063854	Buis afvoer re	1	LAND:Japan[J]
2	887847	Buis uitlaat li	1	LAND:Australië[AA], China[CN], europa[EU], Japan[J], Groot-Brittanië[UK]
2	B063855	Buis uitlaat li	1	LAND:Japan[J]
3	B063022	Verbinding collectoren uitlaat	1	
4	978387	Band geluiddemper li	1	
5	GU19025280	Pakking	2	
6	GU19025460	Afstandhouder	4	
7	GU32121010	Moer	2	
8	GU03013800	Sluitring 6,4x12	4	
9	GU31121880	Moer	4	
10	2B000179	Geluiddemper li	1	
11	2B000178	Geluiddemper re	1	
12	978385	Klemmetje	2	
13	GU32128610	Plaat re	1	
14	GU32129010	Plaat li	1	
15	978386	Band geluiddemper re	1	
16	AP8144071	Rubbertje uitlaat	4	
17	GU98690440	Bout M8x40	2	
18	AP8134378	Huls bevestiging geluiddemper	2	
19	GU92640508	Moer M8	6	
20	AP8120870	Isolerende sluitring	6	
21	896110	Lambdasonde l.660 mm	2	
22	AP8121072	Afstandhouder	2	
23	GU98110007	Dop	2	
24	GU30109330	Pakking	2	

Groep	FRAME
Code	33.23
Beschrijving	Exhaust unit
Revisie	1



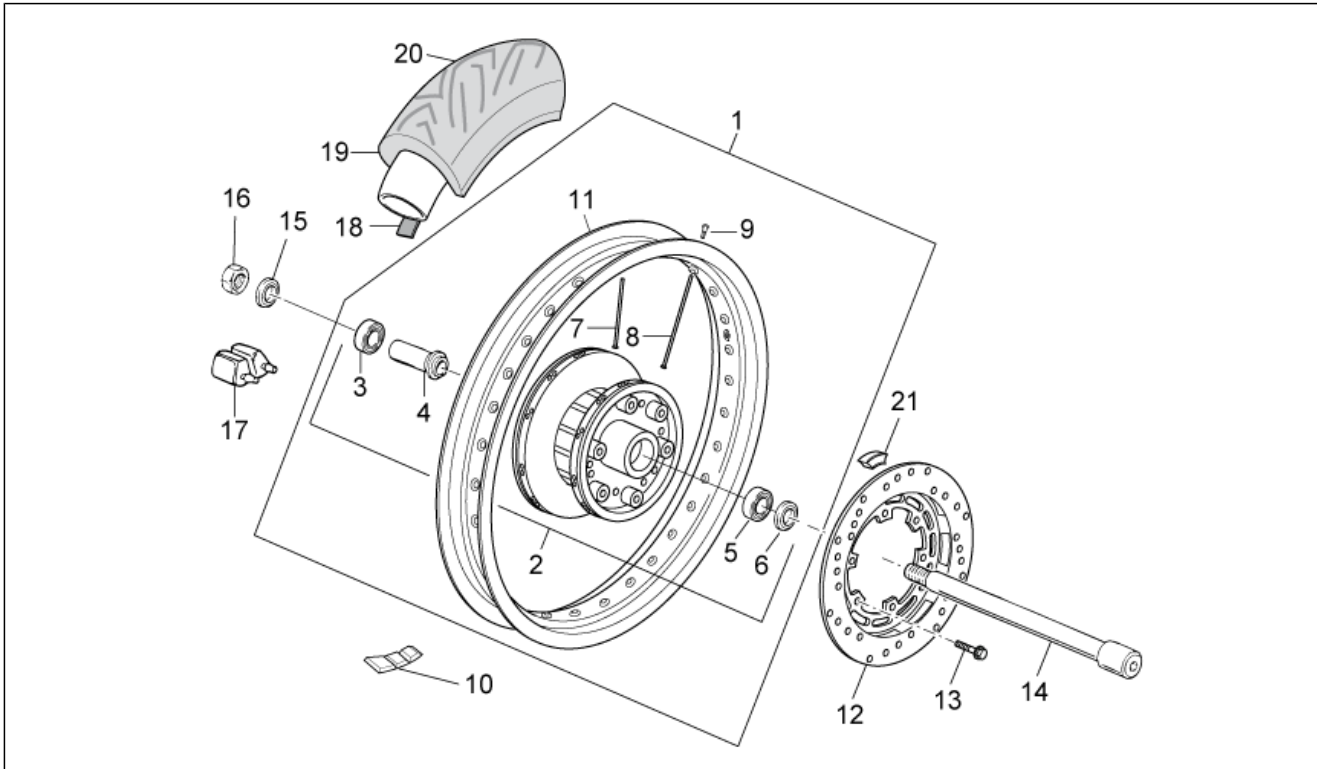
Pos.	Code	Beschrijving	Aant.	Varianten
25	GU32121910	Bescherming re	1	
26	GU32121911	Bescherming li	1	
27	GU98370609	Bolbout met binnenzeskant M6x10	6	
28	GU95005306	Sluitring 6,4x13x1,5	6	
29	GU91113826	Beslagring	2	

Groep	FRAME
Code	33.24
Beschrijving	Front wheel
Revisie	1



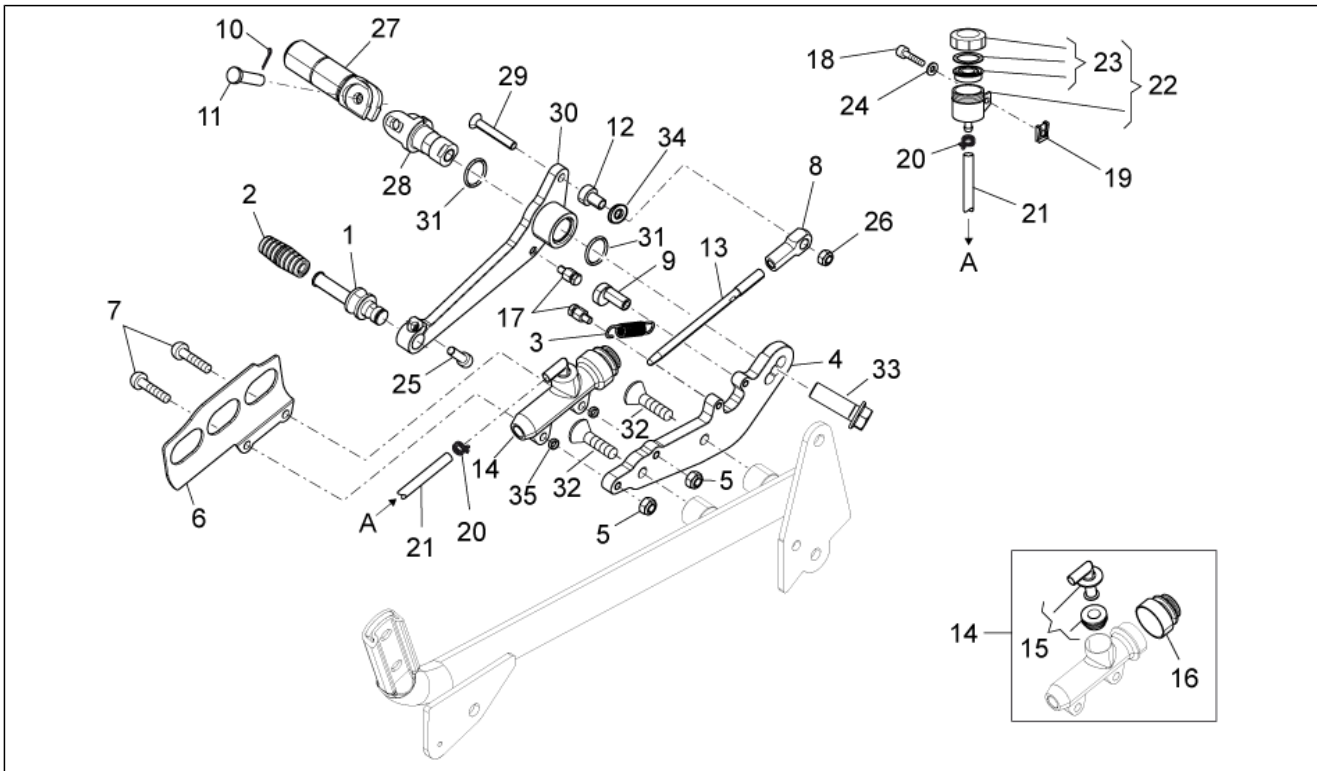
Pos.	Code	Beschrijving	Aant.	Varianten
1	B063265	Voorwiel naked	1	
2	886681	Voornaaf	1	
3	B063144	Spaak voorwiel	36	
4	GU03631250	Nippels	36	
5	B063077	Velg voor. zwart 2.5X18"	1	
6	GU31615260	Afstandhouder lagers	1	
7	GU92204221	Lager	2	
8	GU90402642	Dichtingsring	1	
9	GU31614183	Pin voorwiel	1	
10	883688	Remschijf voor 320	1	
11	AP8152286	Zeskantbout geflenst M8x20	6	
12	GU31616384	Afstandhouder li	1	
13	GU93180111	Dop 15 mm	1	
14	GU32615660	Afstandhouder re	1	
15	GU14616150	Tegengewicht	1	
16	GU03612040	Klemring nippelbescherming	1	
17	GU31610160	Binnenband MB 18	1	
18	886679	Band 100/90-18"	1	

Groep	FRAME
Code	33.25
Beschrijving	Rear wheel
Revisie	1



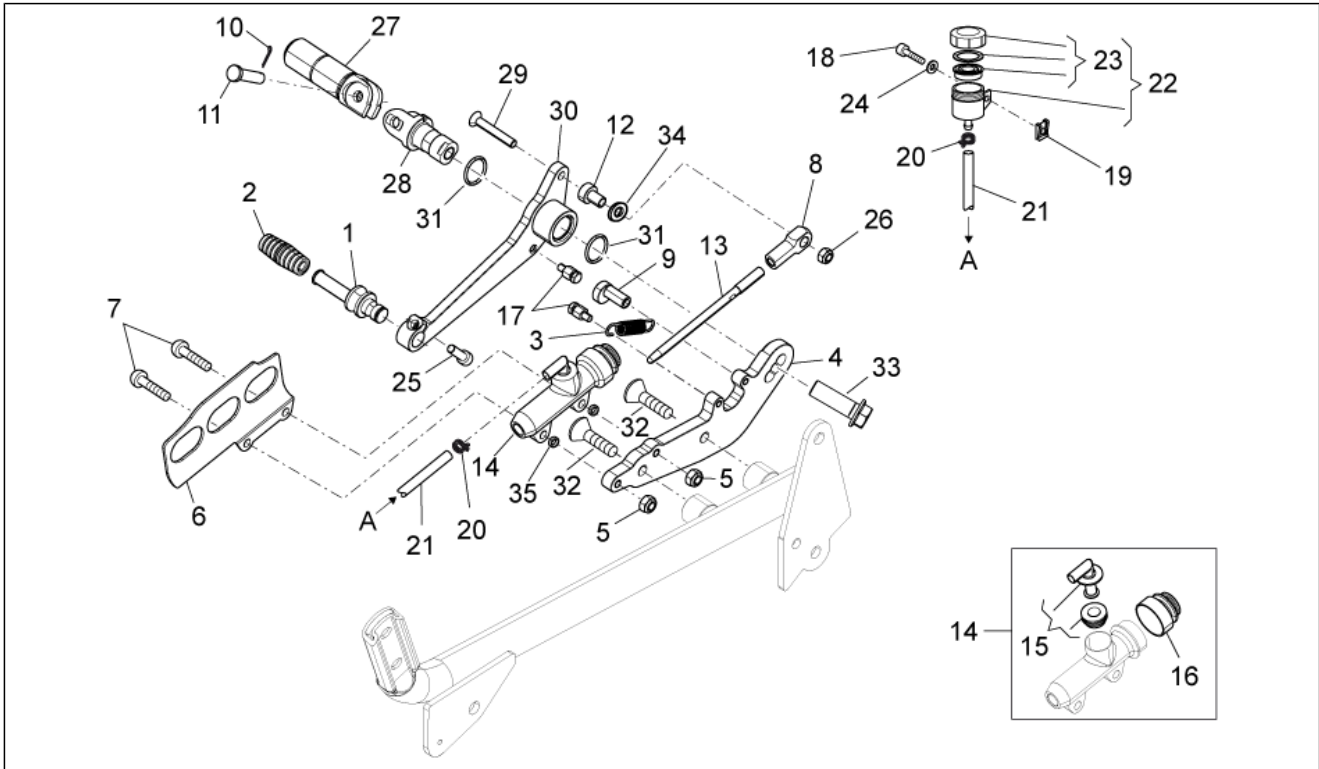
Pos.	Code	Beschrijving	Aant.	Varianten
1	B063267	Achterwiel 3,5"x17"	1	
2	886711	Achternaaf	1	
3	GU92204218	Lager	1	
4	GU27633910	Afstandhouder	1	
5	GU92204217	Lager	1	
6	GU90402538	Dichtingsring 25x40x7	1	
7	883350	Spaak kort	18	
8	883349	Spaak lang mm 158	18	
9	GU03631250	Nippels	36	
10	GU14616150	Tegengewicht	1	
11	B063078	Achtervelg 3,5"x17" Black	1	
12	887448	Remschijf	1	
13	894505	Zeskantbout geflenst M8x18	6	
14	GU32633360	Pin achterwiel	1	
15	GU31634481	Sluitring	1	
16	GU92606316	Moer M16x1,5	1	
17	GU32632510	Element schokbesch.	6	
18	GU28612033	Klemring nippelbescherming	1	
19	GU30630430	Binnenband MD 17	1	
20	886680	Band 130/80-17"	1	
21	GU32636160	Rubber	1	

Groep	FRAME
Code	33.26
Beschrijving	Rear master cylinder
Revisie	1



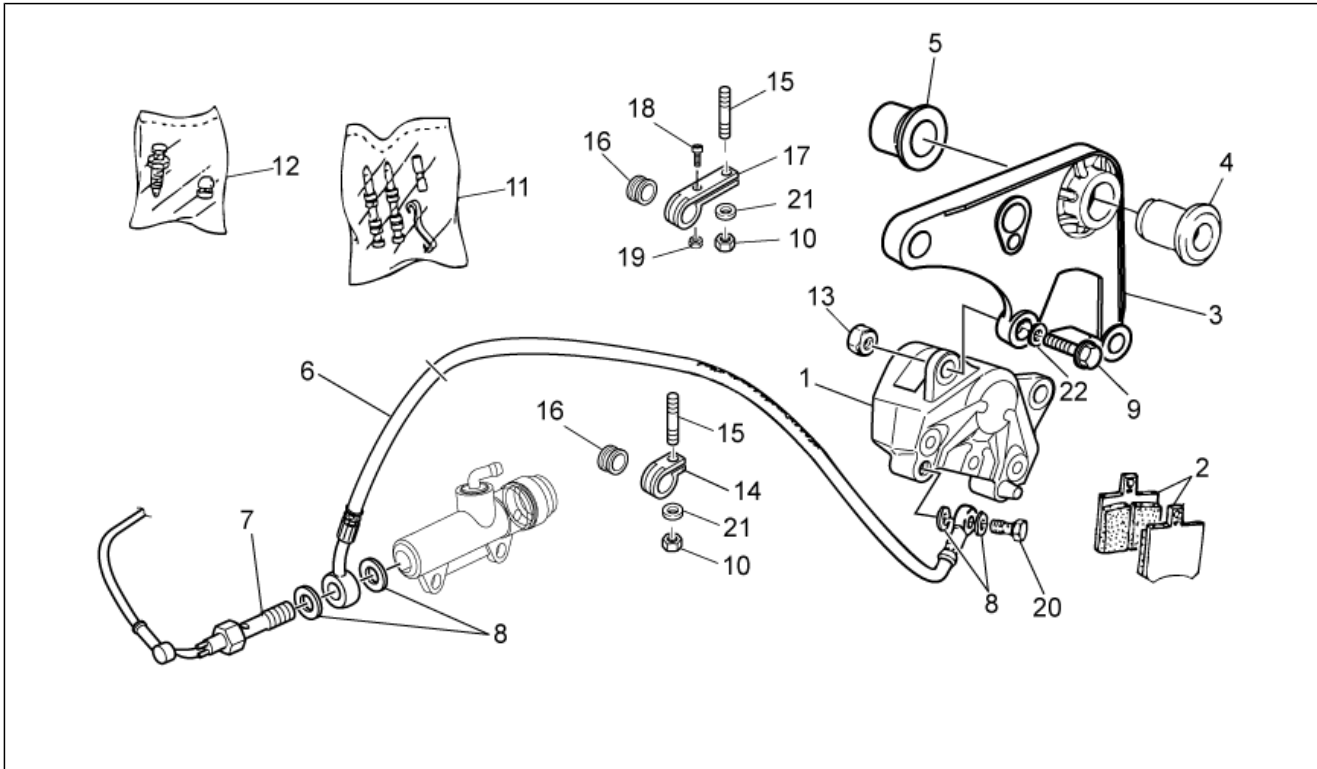
Pos.	Code	Beschrijving	Aant.	Varianten
1	886665	Pin	1	
2	AP8120912	Rubbetje voor hendel	1	
3	AP8121927	Veer hendel achterrem	1	
4	898288	Plaat voetensteun bestuurder	1	
5	GU92630206	Moer M6x1	2	
6	GU01665410	Bescherming rem pomp zwart	1	
7	GU98370625	Bolbout met binnenzeskant	2	
8	GU18257551	Blokje	1	
9	886666	Excentrieke huls	1	
10	GU95401215	Splitpen	1	
11	GU23442210	Pin	1	
12	898287	Pin hendel	1	
13	978970	Staaft pomp rem	1	
14	AP8133643	Pomp achterrem	1	
15	AP8213057	Verbinding pomp acht.	1	
16	AP8113288	Blower van rubber	1	
17	898286	Pin koppeling veren	2	
18	AP8152298	Bolbout met binnenzeskant, geflenst M5x16	1	
19	248419	Spring plate M5	1	
20	AP8101594	Klemmetje D10,1*	2	
21	GU00823950050	Olieleiding	1	
22	AP8133873	Oliereservoir remmen cpl.	1	
23	AP8113553	Tankdop	1	
24	GU95100059	Sluitring 5,25x14x1,5	1	
25	AP8150044	Binnenzeskantbout M6x20	1	
26	GU92630206	Moer M6x1	1	
27	898281	Voetensteun bestuurder	1	
28	898612	Steun voetenst. bestuurder re	1	

Groep	FRAME
Code	33.26
Beschrijving	Rear master cylinder
Revisie	1



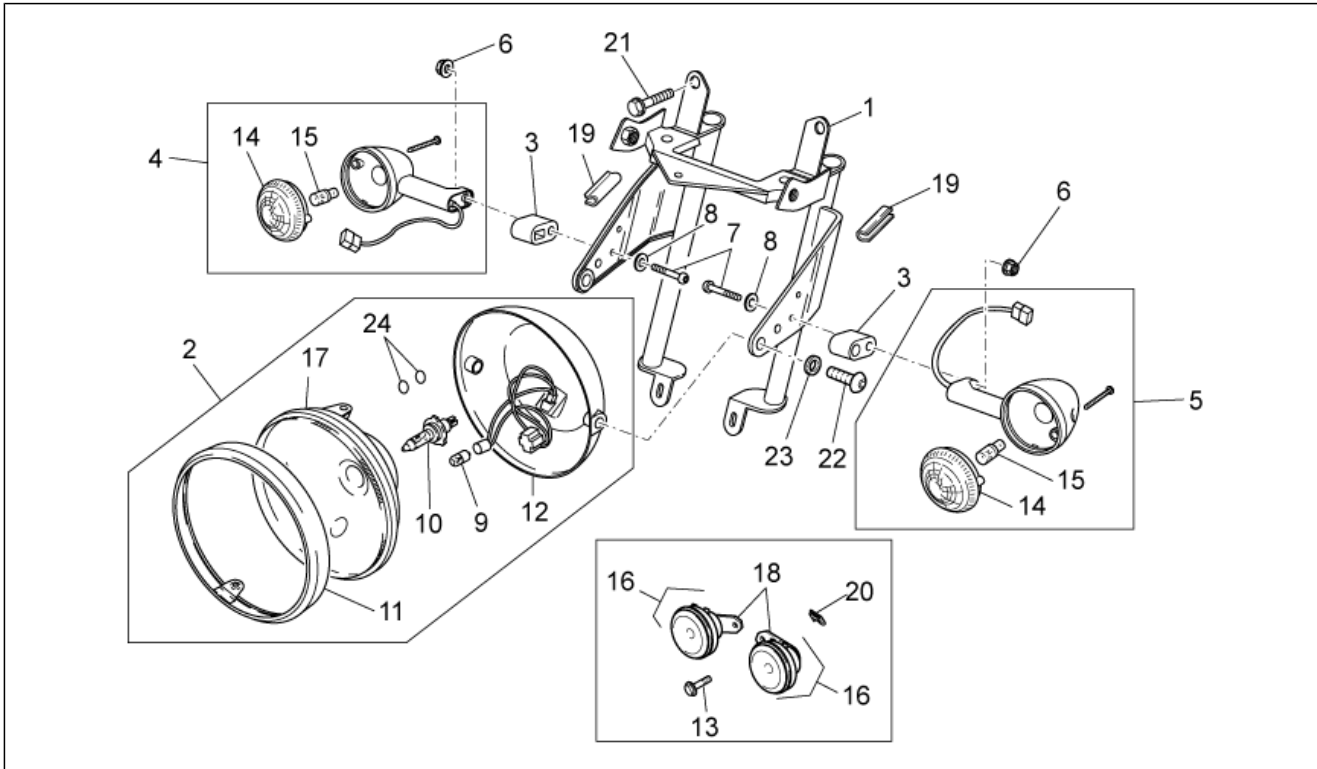
Pos.	Code	Beschrijving	Aant.	Varianten
29	AP8150468	Binnenzeskantbout met verzonken kop M6x40	1	
30	898285	Remhendel	1	
31	AP9100477	O-ring 18x2	2	
32	GU98252420	Binnenzeskantbout met verzonken kop M8x20	2	
33	AP8152320	Zeskantbout geflenst	1	
34	GU03270300	Sluitring 8,4x15	1	
35	AP8134640	Afstandhouder filterkast	2	

Groep	FRAME
Code	33.27
Beschrijving	Rear brake caliper
Revisie	1



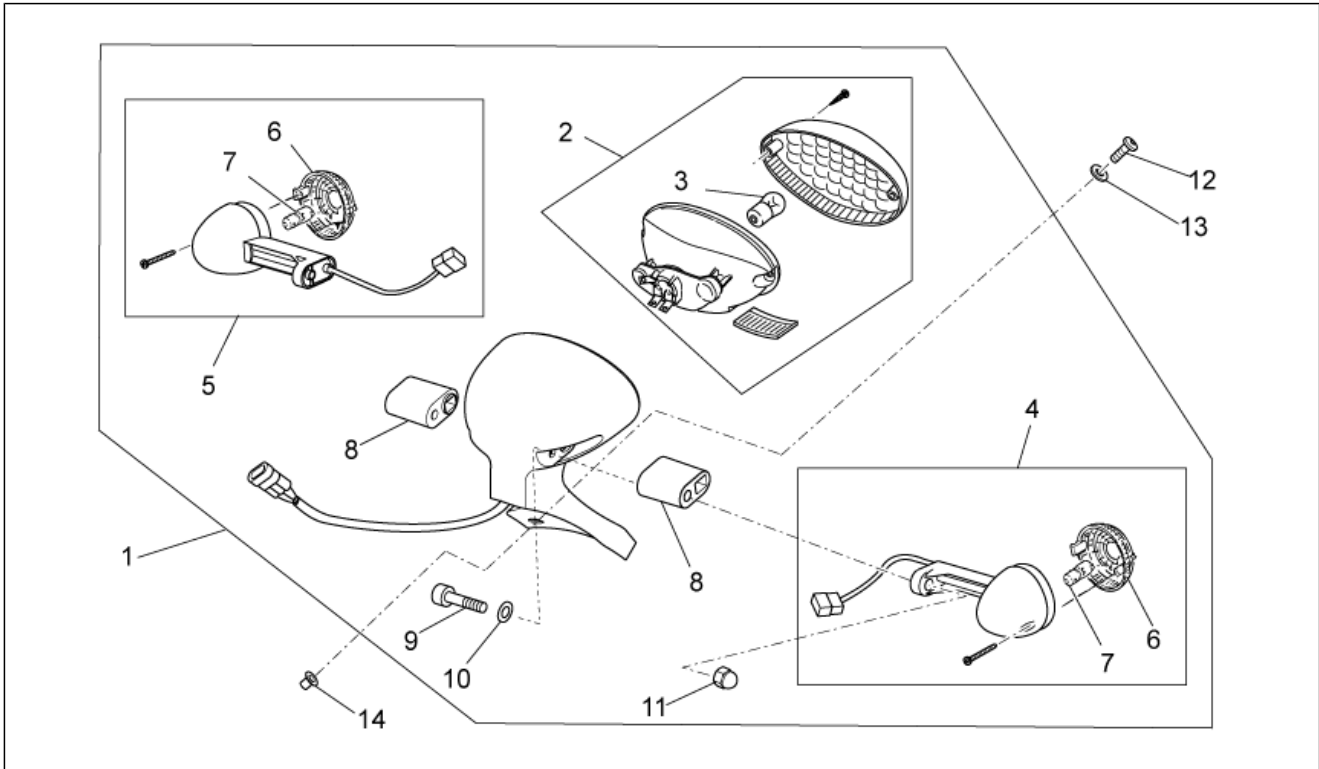
Pos.	Code	Beschrijving	Aant.	Varianten
1	887449	Tang van de achterrem	1	
2	AP8133798	Pastilles - koppel	1	
3	887431	Brake caliper support plate	1	
4	GU31634281	Beslagring	1	
5	GU32634160	Afstandhouder	1	
6	B063750	Leiding achterrem in rubber	1	
7	883192	Hydraulische schakelaar	1	
8	AP8113004	Sluitring 10x14x1,6*	4	
9	AP8152288	Zeskantbout geflenst	2	
10	AP8152299	Zelfborg.bout gefl. M6	2	
11	GU31659181	Kit pinnen+veer	1	
12	GU31659281	Ontluchting+kapje	1	
13	AP8152300	Zelfborg.bout gefl. M8	2	
14	GU03658430	Klemmetje	1	
15	GU96451316	Stiftbout	1	
16	GU03658201	Ring	2	
17	GU03658330	Klemmetje	1	
18	GU98257410	Bout	1	
19	GU92630104	Moer M4x0,7	1	
20	AP8113003	Bout olieleiding	1	
21	GU95008306	Sluitring 6,4x12x1,2	2	
22	GU61270300	Elastische sluitring 8x15x0,3	1	

Groep	FRAME
Code	33.28
Beschrijving	Front lights
Revisie	1



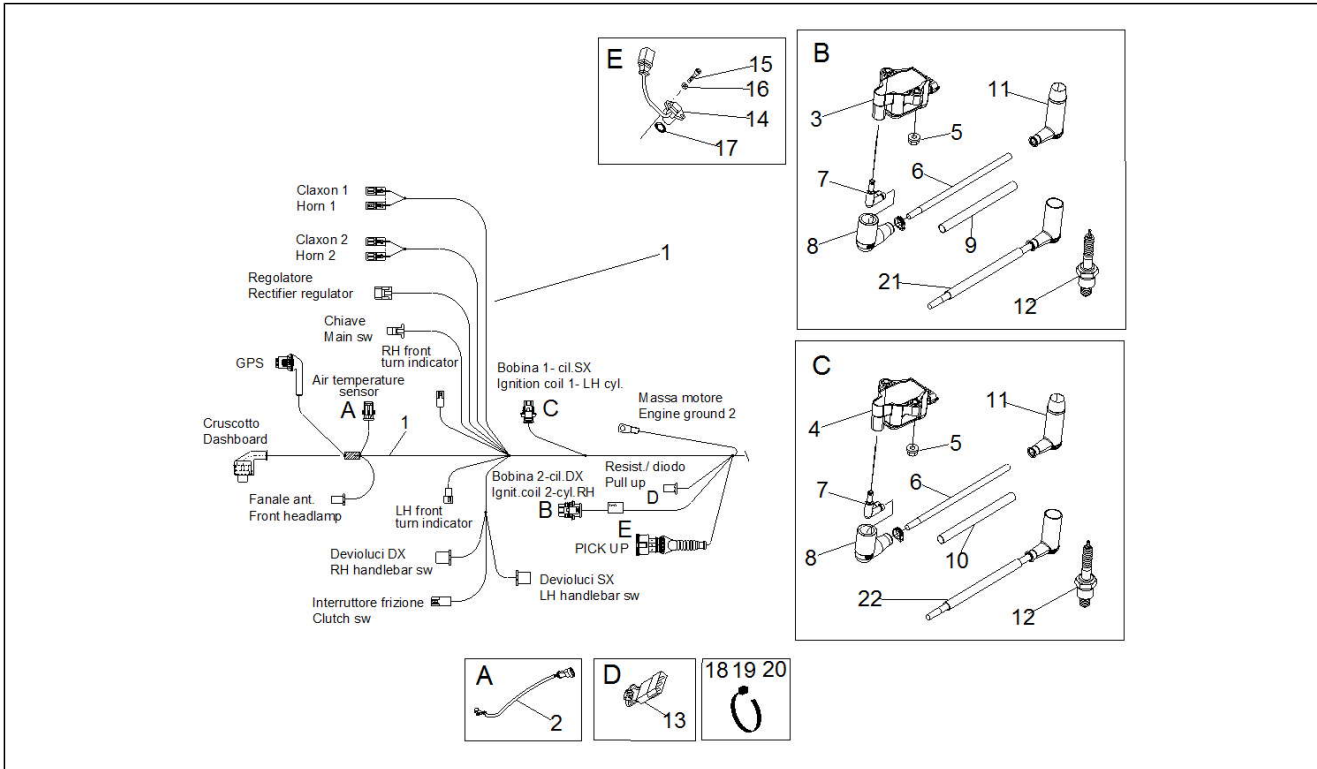
Pos.	Code	Beschrijving	Aant.	Varianten
1	GU32506360	Steunbeugel licht	1	
2	978311	Voorlicht	1	
2	978662	Voorlicht m/o geleider li	1	LAND:Australië[AA], Japan[J]
3	GU32753410	Afstandhouder	2	
4	887826	Richt.aanw. voor.re/acht.li	1	
5	887827	Richt.aanw. voor.li/acht.re	1	
6	GU92787006	Moer blind M6x1	2	
7	GU98370655	Bolbout met binnenzeskant	2	
8	GU95021206	Sluitring	2	
9	292022	Lamp 12V-5W	1	
10	292723	Lamp H4 12V-60/55W	1	
11	640598	Moer verchr.	1	
12	981149	zwarte kap	1	
13	AP8152278	Zeskantbout geflenst M6x16	2	
14	B063735	Glas richtingaanw.	2	
15	GU93450126	Lamp oranje	2	
16	890979	Claxon	2	
17	GU06740400	Optische groep	1	
18	GU01744200	Beugel	6	
19	GU00823931055	Pakking	1	
20	254485	Spring plate M6	2	
21	GU98880540	Bout M10x40	2	
22	GU98692420	Binnenzeskantbout M8x20	2	
23	GU95005308	Sluitring 8,4x14,57x1,6	2	
24	883417	OR-ring	2	

Groep	FRAME
Code	33.29
Beschrijving	Rear lights
Revisie	1



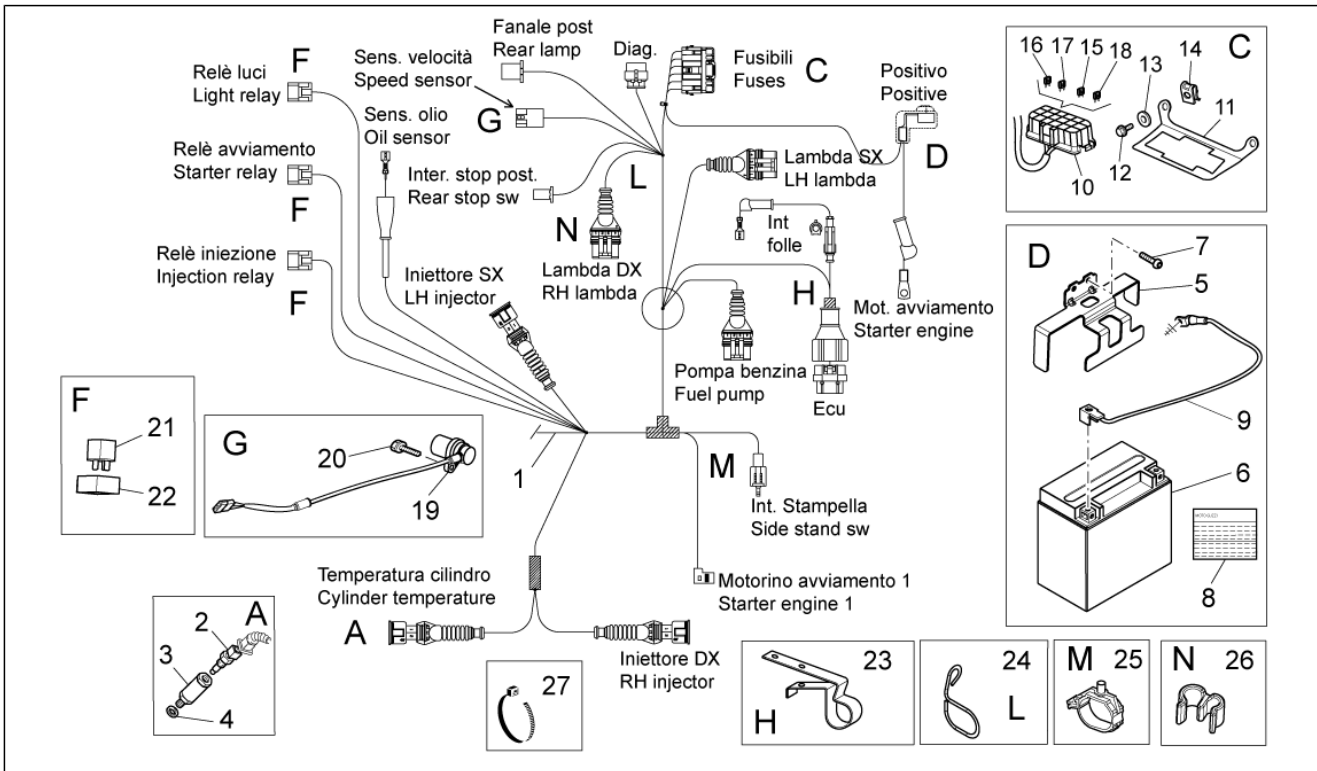
Pos.	Code	Beschrijving	Aant.	Varianten
1	887877	Achterlicht cpl.	1	
2	GU03740930	Achterlicht	1	
3	GU93450224	Lamp	1	
4	887826	Richt.aanw. voor.re/acht.li	1	
5	887827	Richt.aanw. voor.li/acht.re	1	
6	B063735	Glas richtingaanw.	1	
7	584332	Lamp 12V-10W	2	
8	GU32753410	Afstandhouder	2	
9	GU98370655	Bolbout met binnenzeskant	2	
10	GU95021206	Sluitring	2	
11	GU92787006	Moer blind M6x1	2	
12	GU98350215	Bolbout met binnenzeskant	3	
13	GU30577800	Sluitring in nylon 5,5X12X1	3	
14	GU93231605	Huls antitrilling	3	

Groep	FRAME
Code	33.30
Beschrijving	Electrical system I
Revisie	1



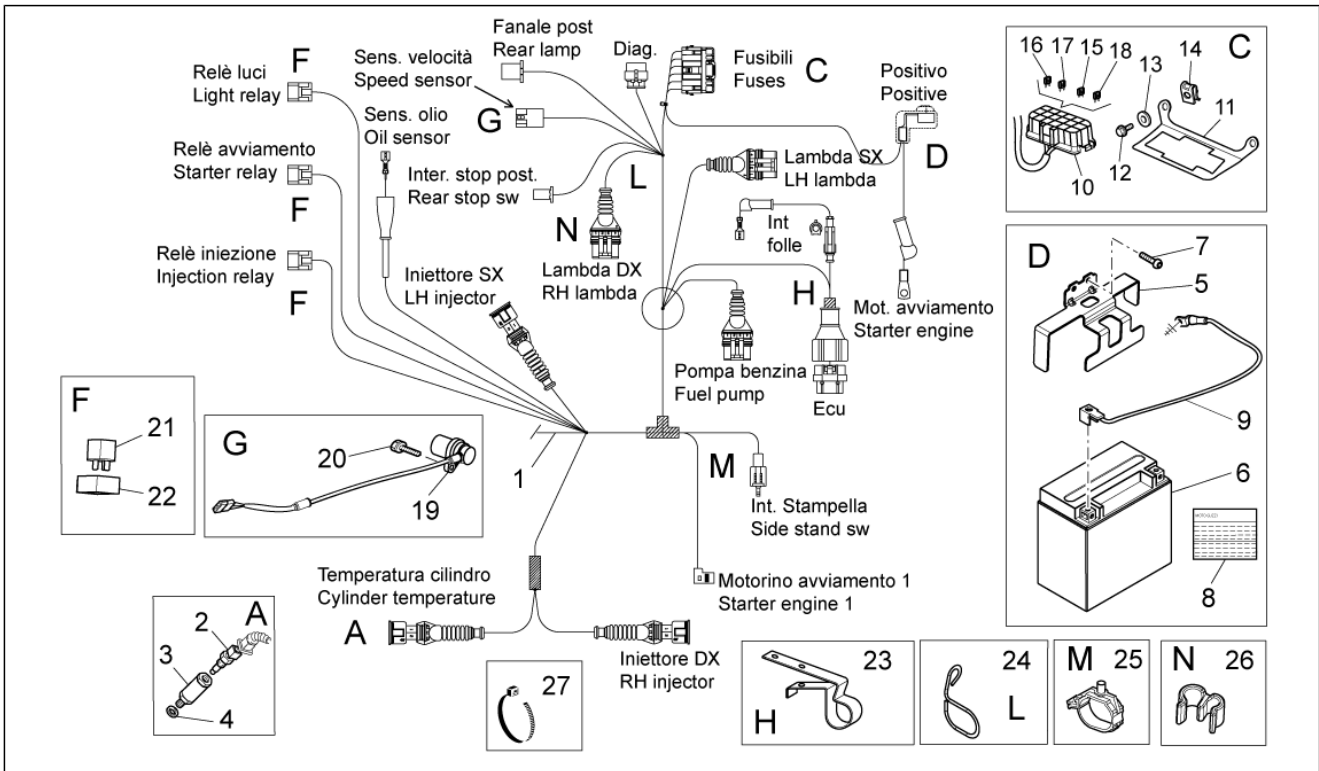
Pos.	Code	Beschrijving	Aant.	Varianten
1	887825	Hoofdzakelijke bekabeling	1	
2	AP8124936	Sensor luchttemperatuur	1	
3	642034	H.S. bobine DX	1	
4	641901	H.S. bobine	1	
5	AP8152299	Zelfborg.bout gefl. M6	4	
6	080341	H.S. kabel basis	2	
7	641725	HS aansluitklem	2	
8	641040	Isolerend kapje	2	
9	CM0074D0	Gaine D.8-S.0,5-L.370	1	
10	CM0074C9	Grijze huls kabel D.8-S.0,5-L.435	1	
11	2D000005	Bougiekapje	2	
11	2D000205	Pipet bougie	2	
12	887481	Bougie NGK CPR8EB-9	2	
13	887948	Diode	1	
14	GU01721600	Fasesensor	1	
15	GU98682212	Binnenzeskantbout M5x12	2	
16	GU95008205	Sluitring 5,3x10x0,8	2	
17	GU90706141	OR-ring	1	
18	AP8120416	Band zwart 178x4	1	
19	GU49609601	Klemmetje 2,4x92	1	
20	GU14609650	Klemmetje 3,6x20,6	31	
21	2D000207	H.S. kabel L=470	1	
22	2D000206	H.S. kabel L=580	1	

Groep	FRAME
Code	33.31
Beschrijving	Electrical system II
Revisie	1



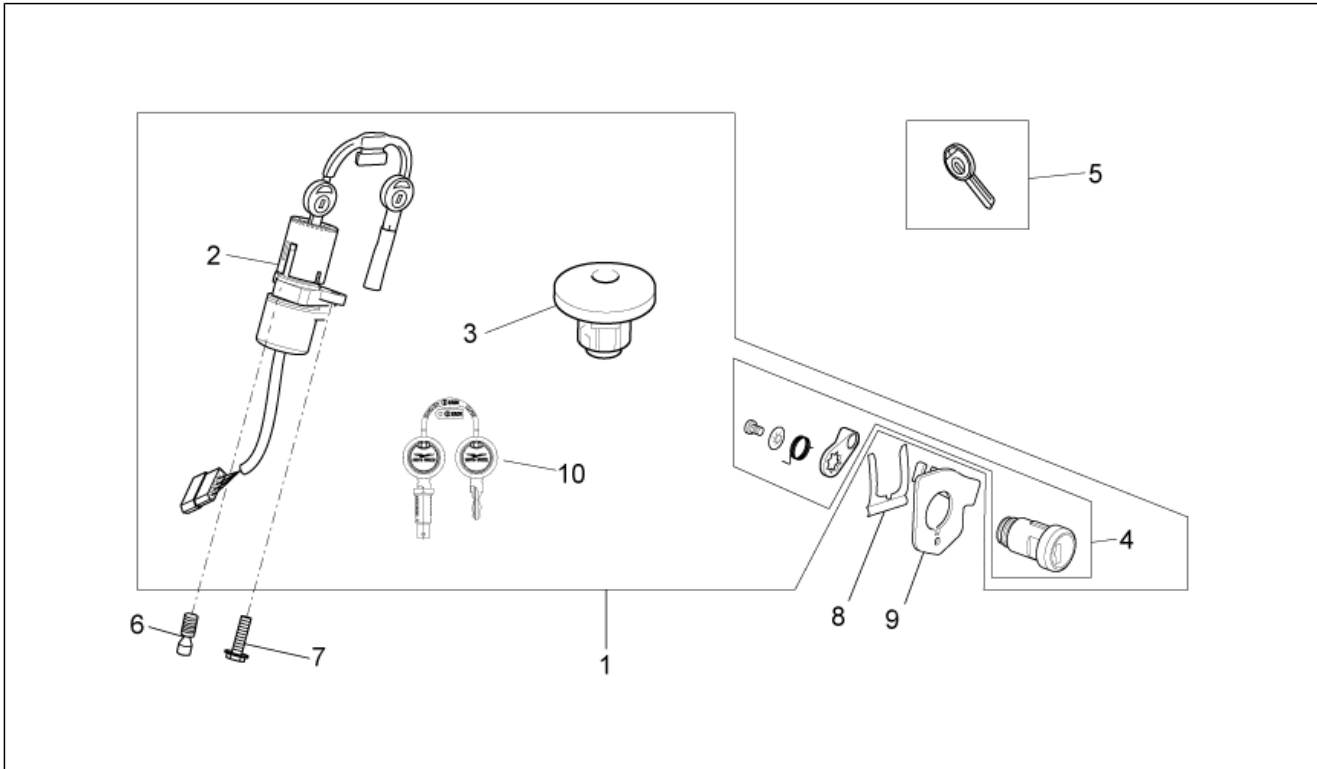
Pos.	Code	Beschrijving	Aant.	Varianten
1	887825	Hoofdzakelijke bekabeling	1	
2	GU29729461	Temperatuursensor olie	1	
3	GU03163330	Steun sensor	1	
4	GU95004210	Sluitring 10,2x18x2	1	
5	B063233	Beugel accu	1	
6	638733	Accu Yuasa YTX14-BS 12V-12Ah (150x87x145)	1	
7	GU98370616	Bolbout met binnenzeskant M6x16 inox	2	
8	GU32517710	Plaat "Battery service"	1	
9	GU32747910	Bekabeling massa-accu	1	
10	584211	Zekeringendoos	1	
11	883161	Steun zek.houder	1	
12	GU98682212	Binnenzeskantbout M5x12	2	
13	GU95100059	Sluitring 5,25x14x1,5	2	
14	AP8102375	Clip M5	2	
15	CM225705	Zekering 5A	2	
16	CM225710	Zekering 10A	1	
17	CM225715	Zekering 15A	2	
18	CM225730	Zekering 30A	1	
19	893570	Sensor snelheidsmeter cpl.	1	
20	AP8150377	Bout	1	
21	AP8224462	Relais 12V-30A	3	
22	AP8220283	Rubbetje *	3	
23	B043850	Klemmetje	1	
24	AP8181140	Kabelwartel	1	
25	CM013202	Trekveertje leidingen/kabels	1	
26	894704	Kabelwartel	1	
27	AP8120416	Band zwart 178x4	1	
27	GU14609650	Klemmetje 3,6x20,6	21	

Groep	FRAME
Code	33.31
Beschrijving	Electrical system II
Revisie	1



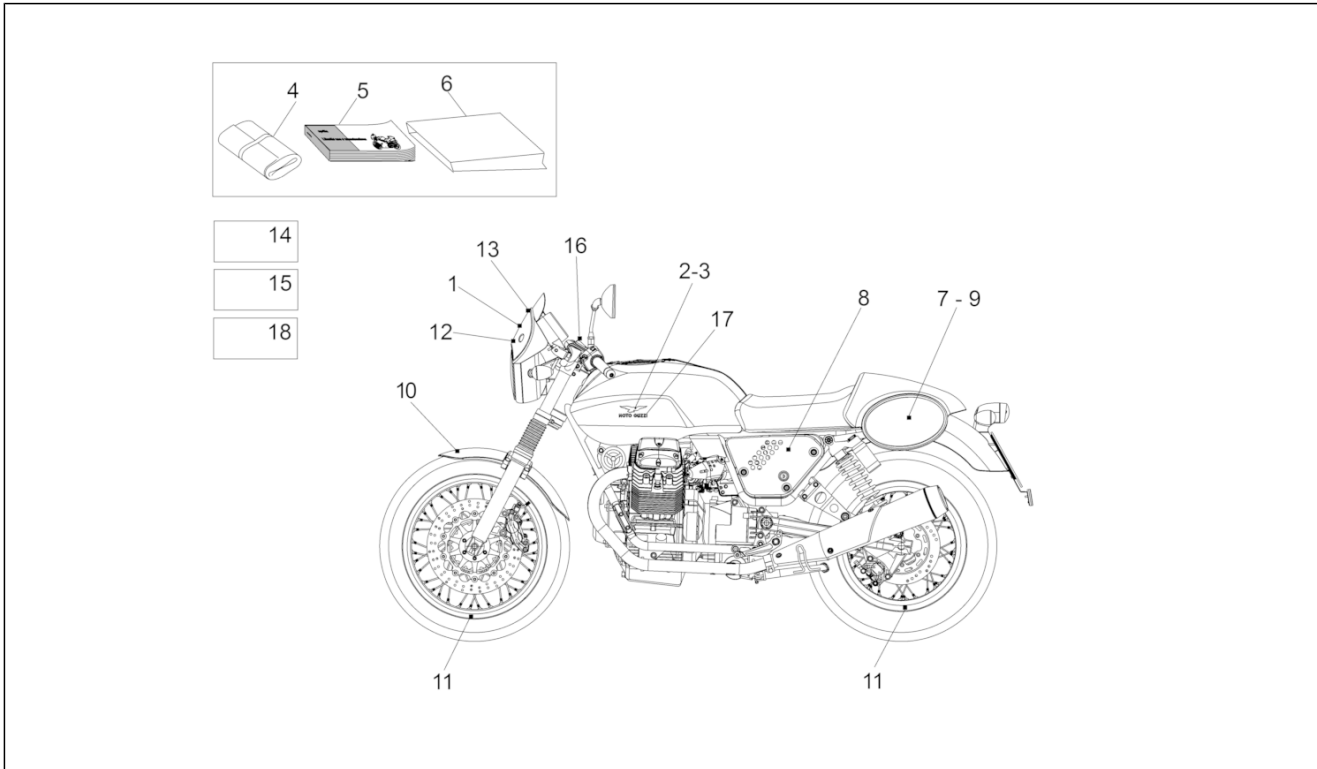
Pos.	Code	Beschrijving	Aant.	Varianten
27	GU49609601	Klemmetje 2,4x92	1	

Groep	FRAME
Code	33.32
Beschrijving	Lock hardware kit
Revisie	1



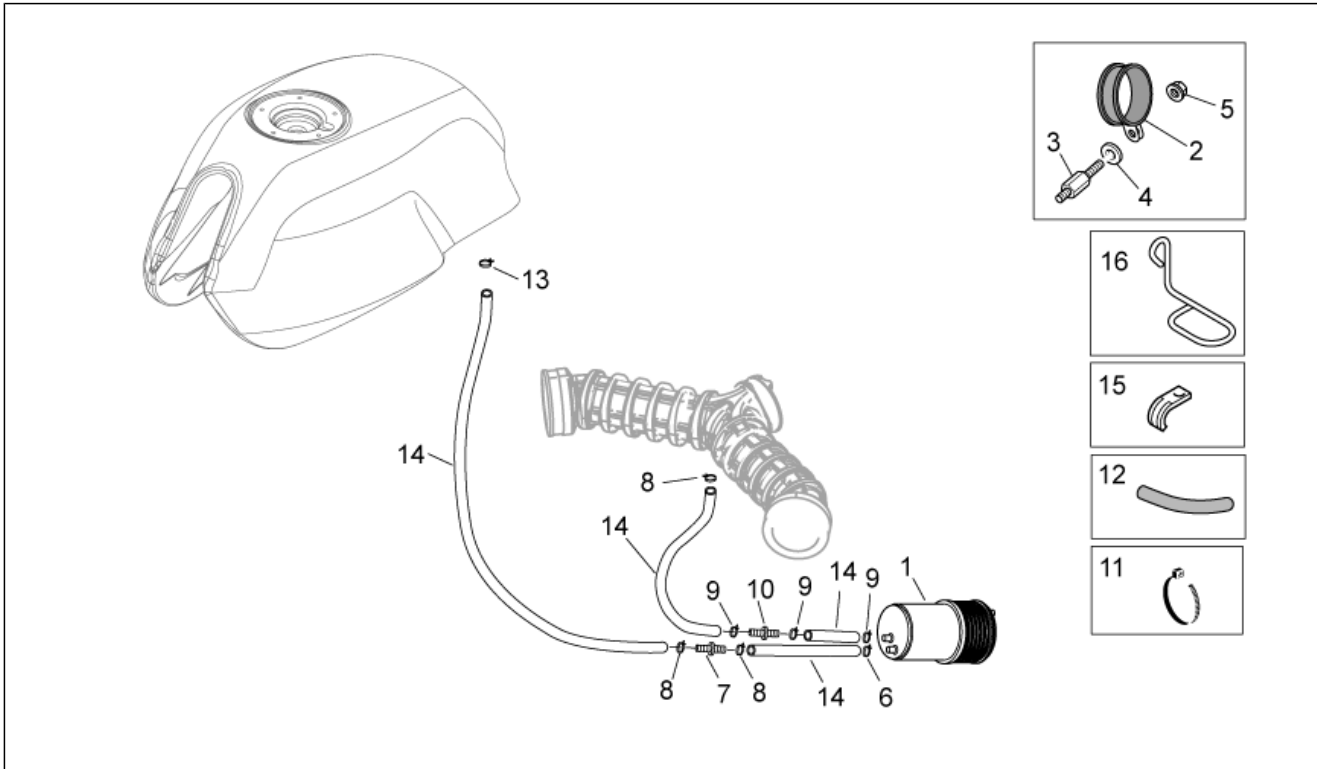
Pos.	Code	Beschrijving	Aant.	Varianten
1	883477	Kit sloten	1	LAND:China[CN]
1	887873	Kit sloten	1	
2	GU32782510	Blocchetto avviamento-blocc. con chiave	1	
3	883476	Tankdop	1	LAND:China[CN]
3	887874	Tankdop zonder sleutels	1	
4	977527	Slot compleet met sleutels	1	
5	GU32735510	Sleutel glad ruw-dop go	1	
5	GU32735511	Sleutel glad ruw-dop cr	1	
6	AP8150349	Speciale bout M8x15	1	
7	GU98682416	Binnenzeskantbout M8x16	1	
8	AP8121420	Vorkveer	1	
9	978415	Plaatje steun kabel	1	
10	2D000006	Slotcilinder met sleutel voor benzinedop	1	

Groep	FRAME
Code	33.33
Beschrijving	Decal and plate set
Revisie	1



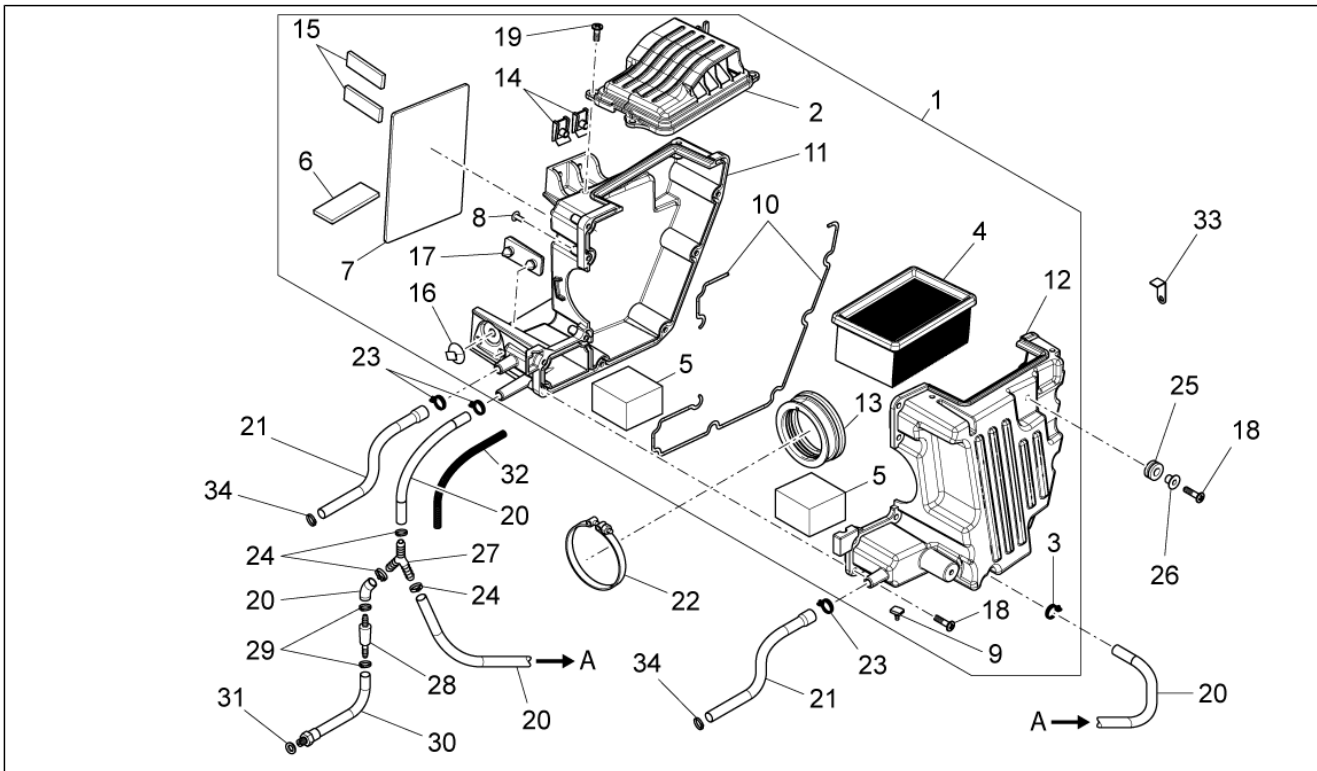
Pos.	Code	Beschrijving	Aant.	Varianten
1	2H000425	Decalco kapje	1	
2	898174	Decalco re "Aquila"	1	
3	886678	Decalco li "Aquila"	1	
4	887443	Gereedschapstas	1	
5	2Q000043	Boekje gebruik en ond. I-F-D-NL-E-UK	1	
5	2Q000045	Handleiding voor het Gebruik en het Onderhoud JP-EN	1	LAND:Japan[J]
5	2Q000054	Handleiding voor het Gebruik en het Onderhoud ZN-EN-IT-DE	1	LAND:China[CN]
6	GU05900130	Zakje voor documenten	1	
7	2H000426	Decalco zwart dx-sx	1	
8	2H000428	Plaat "V7 Racer" dx-sx	2	
9	2H000427	Decalco eindstuk re-li	2	
10	886141	Plaat "Aquila"	1	
11	887971	Plaat "Moto Guzzi"	4	
12	2H000424	Decalco schroefdraad onderaan	1	
13	2H000423	Decalco schroefdraad bovenaan	1	
14	2G000013	Decalco schema shed	1	LAND:China[CN]
15	GU03995730	Plaat "Unleaded Fuelonly"	1	LAND:Australië[AA]
16	2H000429	Plaat stuur	1	
17	2H000430	Plaat re-li "Moto Guzzi"	2	
18	GU32944310	Plaat bescherming	2	

Groep	FRAME
Code	33.51
Beschrijving	Fuel vapour recover system
Revisie	1



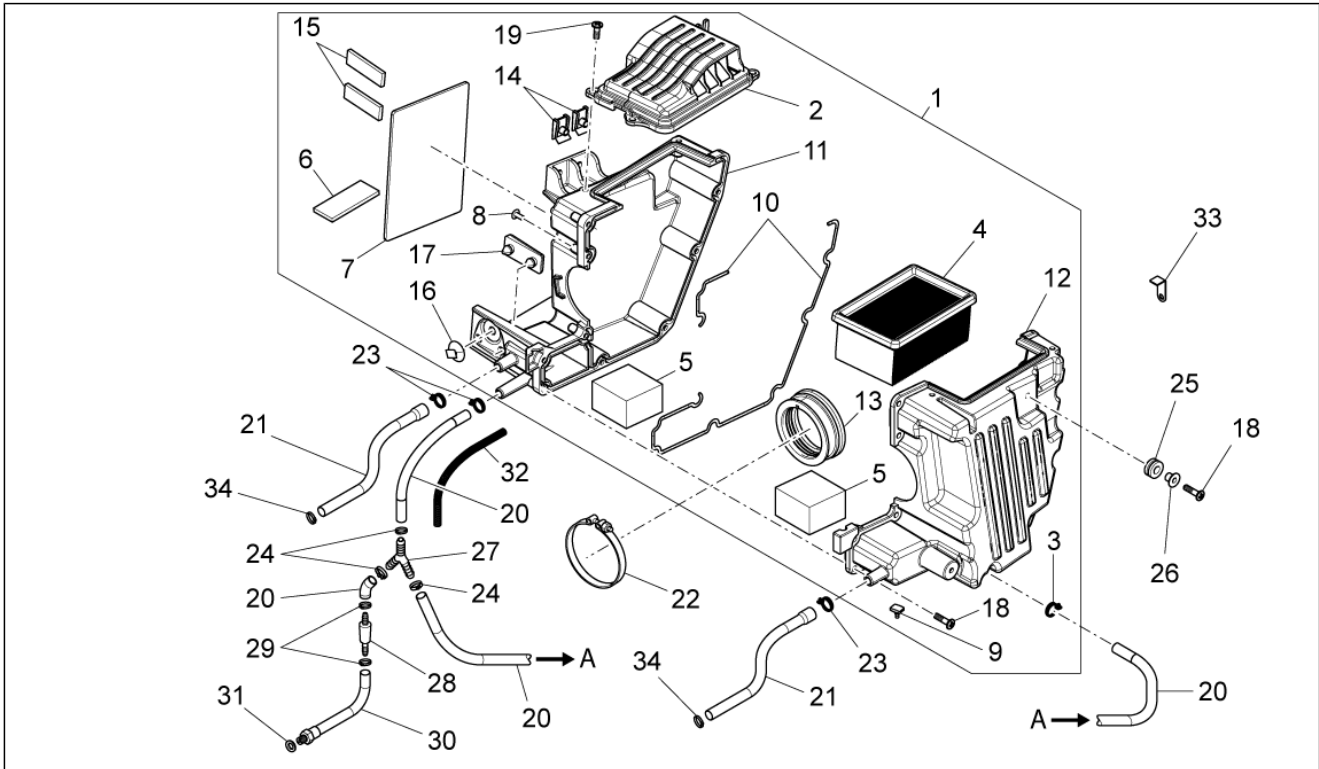
Pos.	Code	Beschrijving	Aant.	Varianten
1	AP8102678	Koolfilter	1	
2	AP8102688	Klemmetje d.76	1	
3	GU32439260	Houder canister USA	1	
4	GU95005311	Sluitring	1	
5	AP8152299	Zelfborg.bout gefl. M6	1	
6	AP8102159	Klemmetje	1	
7	860138	Klep	1	
8	GU28157950	Klikband 12,5x8	4	
9	AP8120446	Klikbandje groen D11x6,6x1	2	
10	AP8121267	Eindstuk vernauw.	1	
11	AP8120416	Band zwart 178x4	1	
12	GU00823923140	Thermische gaine	4	
13	AP8201358	Klemmetje D 11,9	1	
14	856063	Buis SAE 30 d.12,7x6,35	3	
15	GU93301313	Beugel	1	
16	AP8221114	Kabelgeleider	2	

Groep	FRAME
Code	33.52
Beschrijving	Air box II
Revisie	1



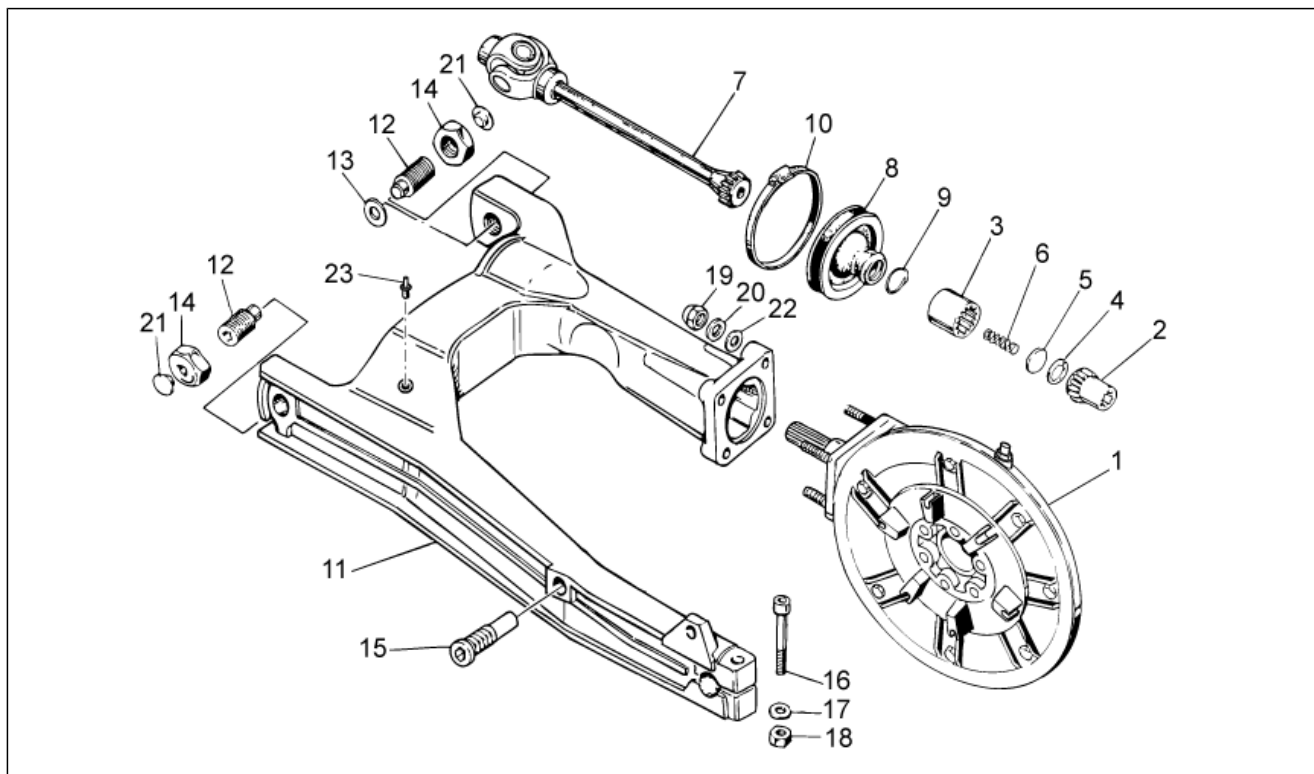
Pos.	Code	Beschrijving	Aant.	Varianten
1	8878421	Filterkist cpl.	1	
2	887843	Bedekking luchtfilter	1	
3	AP8201358	Klemmetje D 11,9	1	
4	AP8104924	Luchtfilter	1	
5	AP8104525	Filter blow-by	2	
6	883127	Rubber 5 mm	1	
7	AP8144553	Rubber	1	
8	AP8120876	Sluitdop	2	
9	AP8120455	Rubbetje	1	
10	AP8120615	Pakking D3	2	
11	887844	Schaal re filterhuis	1	
12	887845	Schaal li filterhuis	1	
13	887815	Aanzuigingsmof	1	
14	254485	Spring plate M6	2	
15	AP8144538	Pakking	2	
16	890760	Steun connector	1	
17	AP8144729	Buffer eindloop standaard	1	
18	AP8152329	Bout SWP kruiskop gefl. M5x20	11	
19	AP8150509	Zelftap. bout 5x14	4	
20	AP8120772	Ontluchttingsbuis	3	
21	B063214	Leiding blow by	2	
22	GU93305061	Klemmetje 61/65,5	1	
23	AP8102766	Klemmetje	3	
24	AP8102765	Klikband wit D.13,5x6	3	
25	GU91551010	Gommino 10X20X10	2	
26	AP8221023	'T'-vormige huls	2	
27	2B000045	Driewegsverbinding	1	
28	AP8104996	Blokkeerklep	1	

Groep	FRAME
Code	33.52
Beschrijving	Air box II
Revisie	1



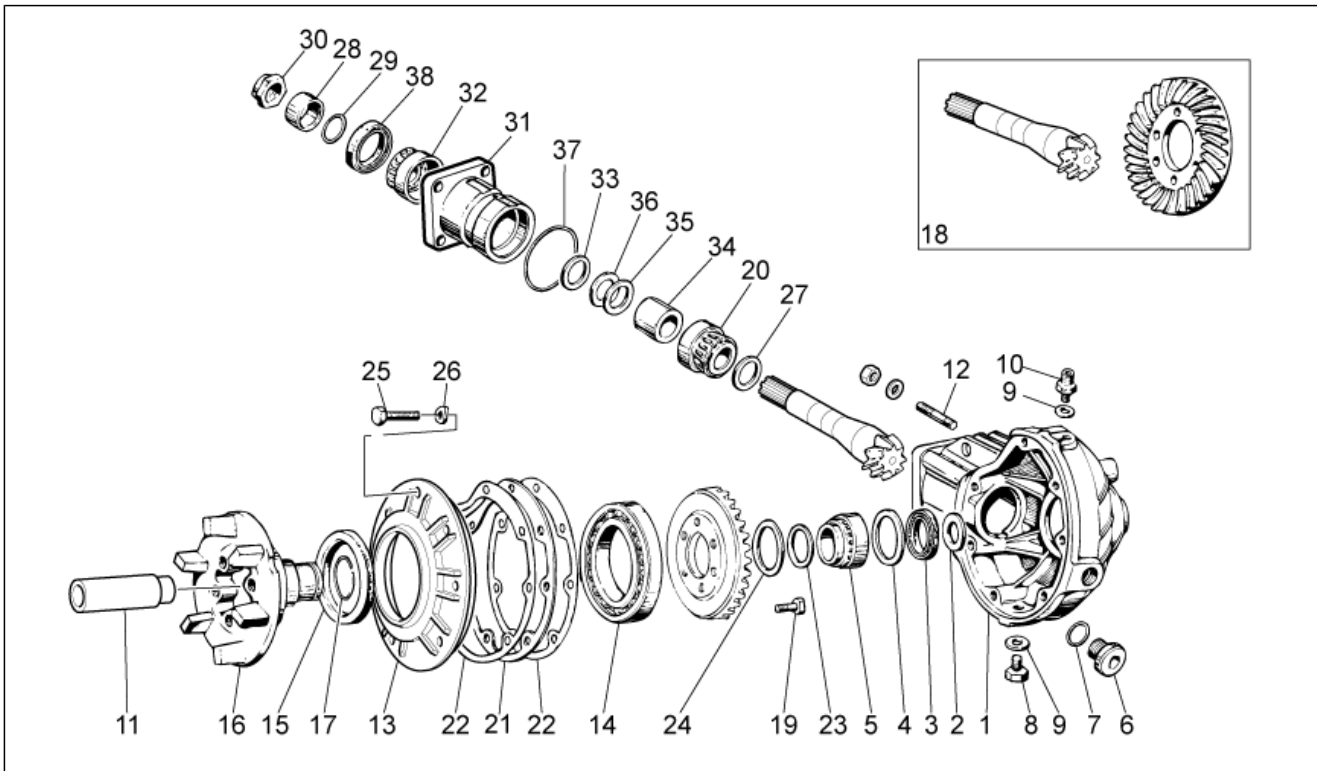
Pos.	Code	Beschrijving	Aant.	Varianten
29	GU28157950	Klikband 12,5x8	2	
30	B063213	Buis recup.olie	1	
31	GU90714082	Pakking	1	
32	GU00823923140	Thermische gaine	1	
33	GU31112965	Steunbeugel filter	1	
34	AP8201358	Klemmetje D 11,9	2	

Groep	ENGINE
Code	34.09
Beschrijving	Transmission complete I
Revisie	1



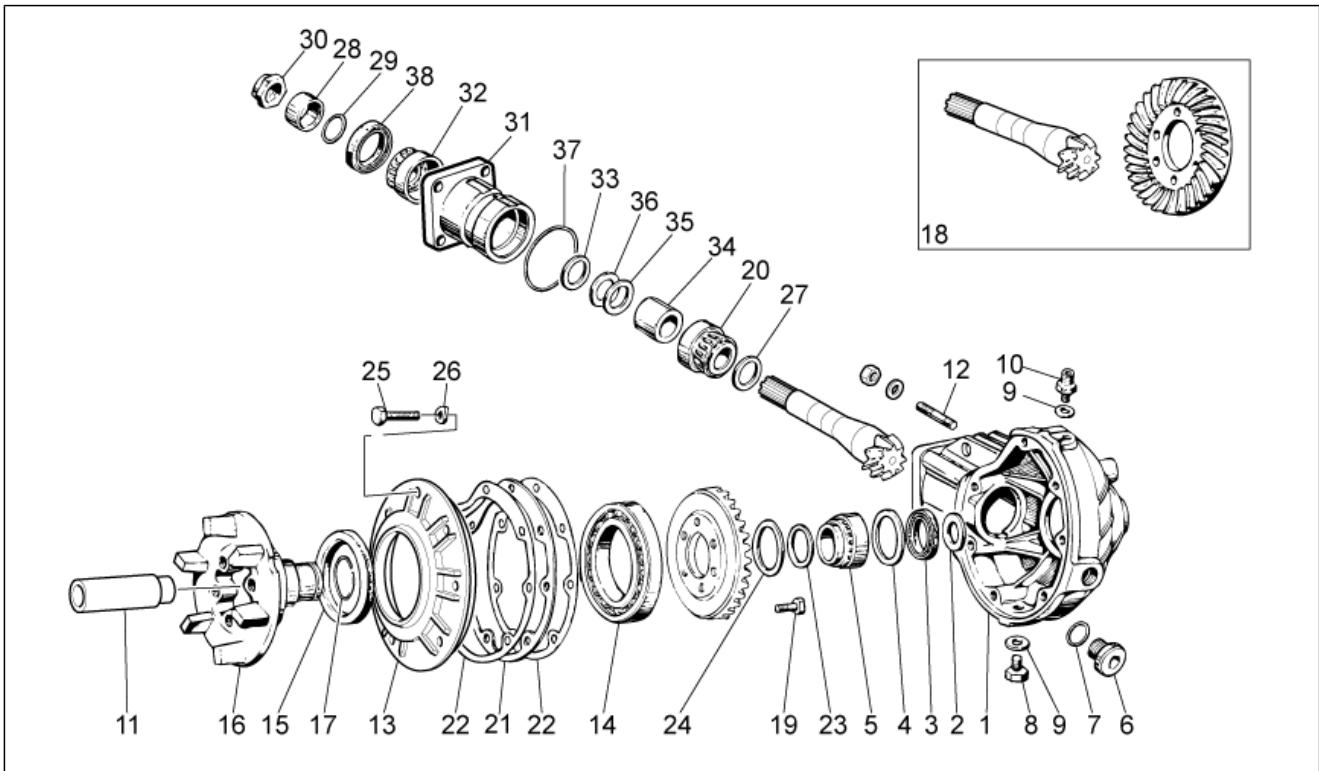
Pos.	Code	Beschrijving	Aant.	Varianten
1	976941	Transmissiedoos cpl. zwart	1	
2	GU31327783	Mof	1	
3	GU19328801	Mof	1	
4	GU90272023	Seegerring	1	
5	GU19327601	Schijf	1	
6	GU94321099	Veer	1	
7	GU23328081	Cardankoppeling	1	
8	GU23548080	Besch.band	1	
9	GU23548180	Veer	1	
10	AP8120246	Klemmetje D=60-80	1	
11	886676	Vork v.rood	1	
12	GU19547000	Pin	2	
13	GU35214300	Dikte	1	
14	GU31547882	Moer	2	
15	GU31544181	Pin	1	
16	GU98680545	Bout M10x45	1	
17	GU95008210	Sluitring 10,2X18X2	1	
18	GU92606210	Moer M10x1,5	1	
19	860651	Moer blind M8x1,25	4	
20	GU14615901	Sluitring 8,4X13X0,8	4	
21	GU93180105	Dop	2	
22	GU95005308	Sluitring 8,4x14,57x1,6	4	
23	GU03922280	Dop 5x9	1	

Groep	ENGINE
Code	34.10
Beschrijving	Transmission complete II
Revisie	1



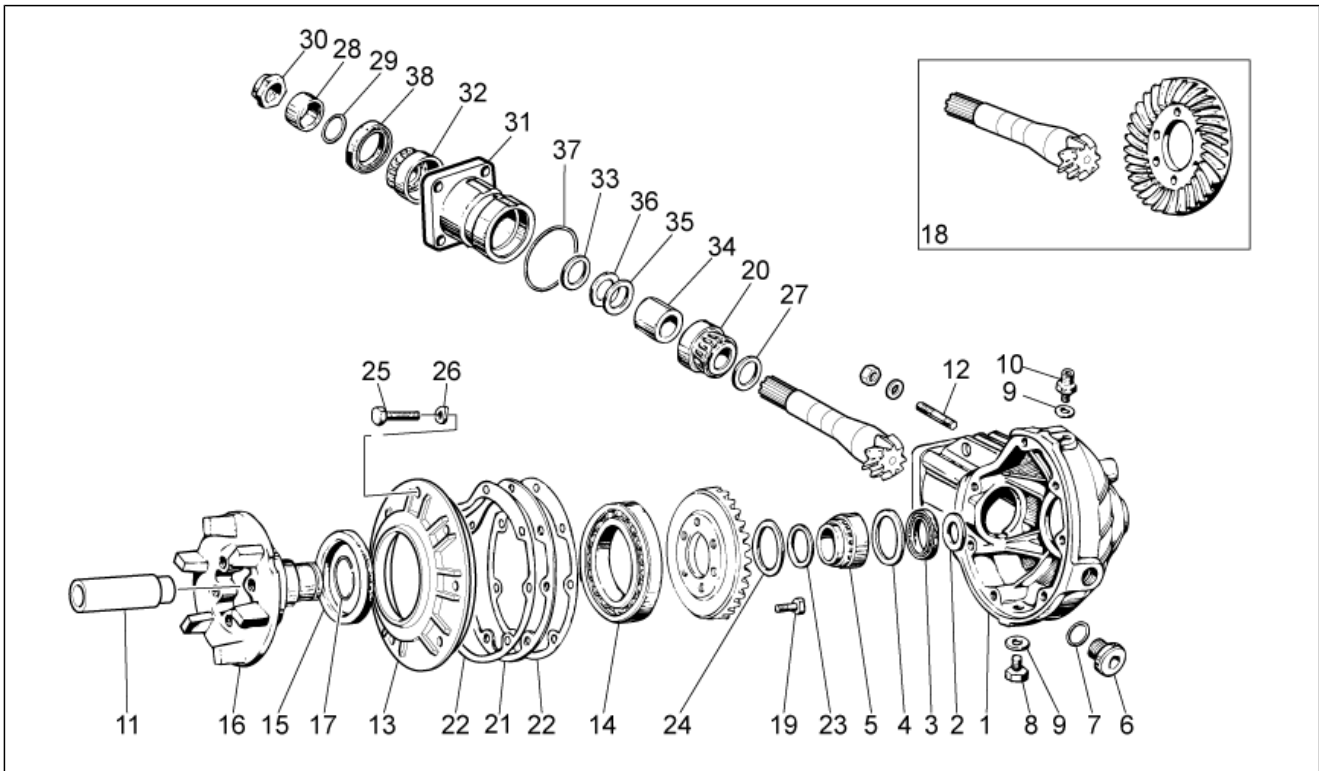
Pos.	Code	Beschrijving	Aant.	Varianten
1	976608	Doos transm. zwart	1	
2	GU19351900	Steunende sluitring	1	
3	GU90403549	Dichtingsring 35x47x7	1	
4	GU19351100	Steunende sluitring	1	
5	GU92252235	Rollager 35x50x17	1	
6	GU12022600	Oliedop	1	
7	GU90706203	OR-ring 20,24X2,62	1	
8	GU31003766	Afvoerdop olie M10x1	1	
9	GU01528930	Pakking 10x18x1,5	2	
10	GU19206501	Dop ontluchting	1	
11	GU32633560	Afstandhouder	1	
12	GU96508055	Stiftbout	4	
13	GU32350410	Bedekking	1	
14	GU92201070	Kogellager 70x110x13	1	
15	GU90407591	Dichtingsring 75x95x10	1	
16	GU32351410	Pin	1	
17	GU90353030	Blokkeerring	1	
18	GU32354610	Conisch koppel 8/33	1	
19	GU03067730	Bout M8x25	6	
20	GU92249227	Conische kogellager 25x5	1	
21	GU19355400	Dikte 0,8 mm	1	
21	GU19355402	Dikte 0,9 mm	1	
21	GU19355404	Dikte 1 mm	1	
21	GU19355406	Dikte 1,1 mm	1	
21	GU19355408	Dikte 1,2 mm	1	
21	GU19355410	Dikte 1,3 mm	1	
21	GU19355411	Dikte 1,4 mm	1	
21	GU19355412	Dikte 1,5 mm	1	

Groep	ENGINE
Code	34.10
Beschrijving	Transmission complete II
Revisie	1



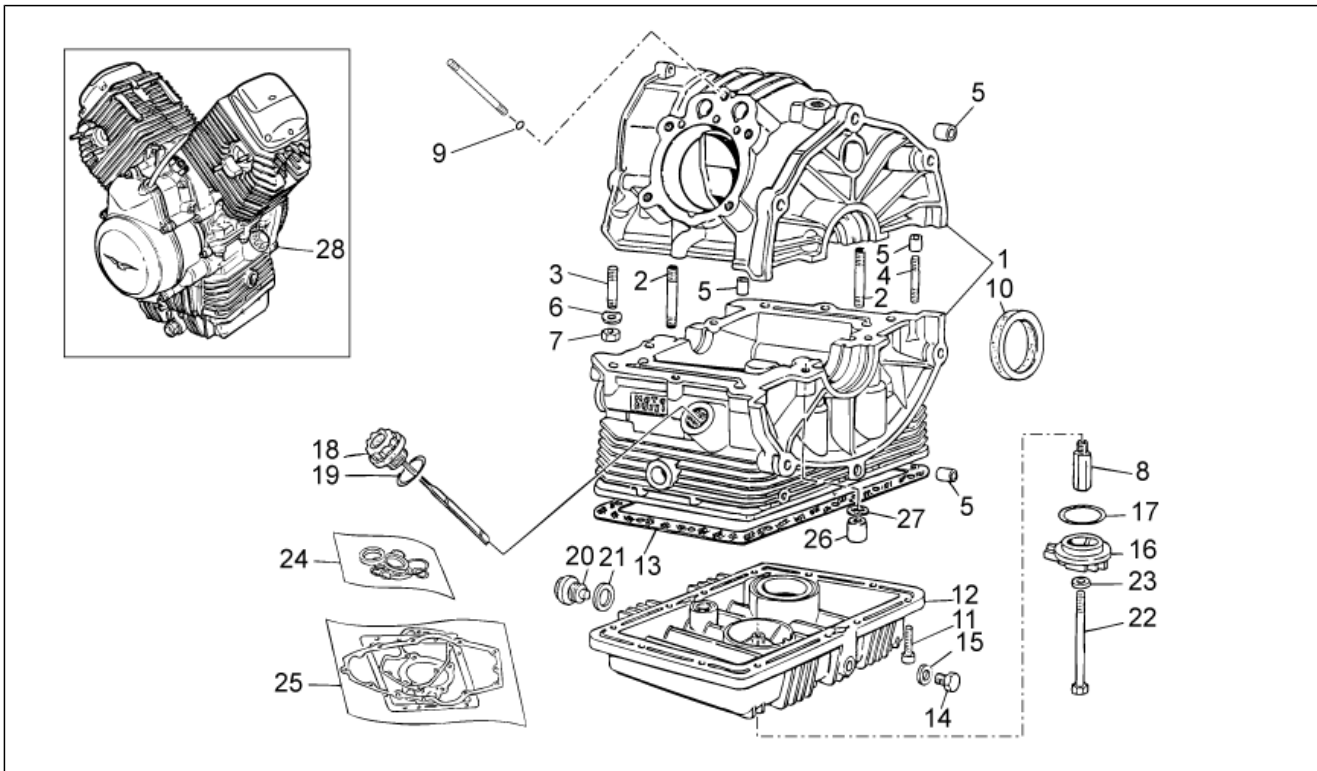
Pos.	Code	Beschrijving	Aant.	Varianten
21	GU19355413	Dikte 1,6 mm	1	
22	GU19350700	Pakking	2	
23	GU19352300	Schraapring	1	
24	GU19353500	Schraapring	1	
25	GU19357660	Bout	7	
26	GU61270300	Elastische sluitring 8x15x0,3	7	
27	GU19355320	Dikte 1 mm	1	
27	GU19355321	Dikte 1,1 mm	1	
27	GU19355322	Dikte 1,2 mm	1	
27	GU19355323	Dikte 1,3 mm	1	
27	GU19355324	Dikte 1,4 mm	1	
27	GU19355325	Dikte 1,5 mm	1	
27	GU19355326	Dikte 1,6 mm	1	
27	GU19355327	Dikte 1,7 mm	1	
27	GU19355328	Dikte 1,8 mm	1	
27	GU19355329	Dikte 1,9 mm	1	
28	GU19356801	Afstandhouder	1	
29	GU90706188	Dichtingsring 18,77X1,78	1	
30	GU19356700	Moer	1	
31	GU20352421	Cover	1	
32	GU92249220	Rollager 20x47x14	1	
33	GU19355300	Dikte 1 mm	1	
33	GU19355301	Dikte 1,1 mm	1	
33	GU19355302	Dikte 1,2 mm	1	
33	GU19355303	Dikte 1,3 mm	1	
33	GU19355304	Dikte 1,4 mm	1	
33	GU19355305	Dikte 1,5 mm	1	
33	GU19355306	Dikte 1,6 mm	1	

Groep	ENGINE
Code	34.10
Beschrijving	Transmission complete II
Revisie	1



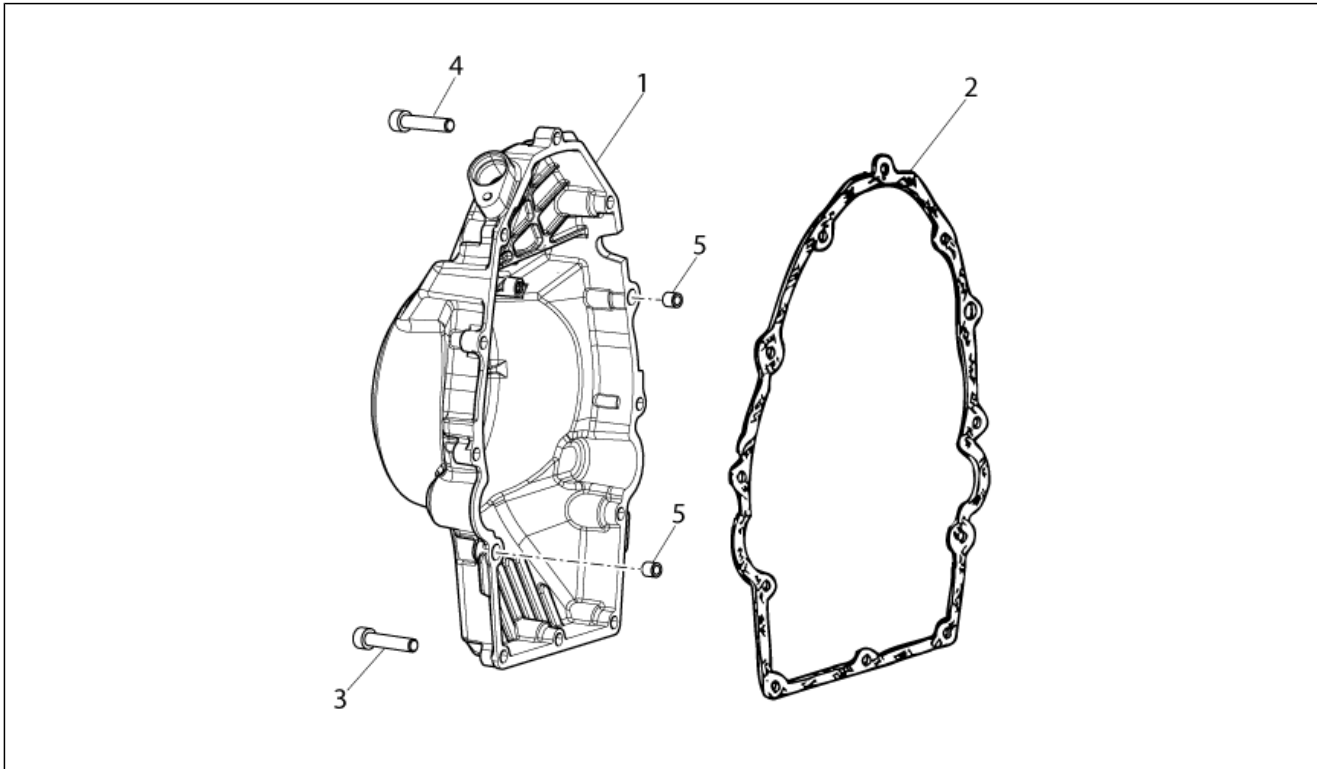
Pos.	Code	Beschrijving	Aant.	Varianten
33	GU19355307	Dikte 1,7 mm	1	
33	GU19355308	Dikte 1,8 mm	1	
33	GU19355309	Dikte 1,9 mm	1	
34	GU20355121	Afstandhouder	1	
35	GU19355200	Sluitring regel. 0,1 mm	1	
36	GU19355202	Sluitring regel. 0,15 mm	1	
37	GU90706584	Pakking 58,42x2,62	1	
38	GU90403251	Dichtingsring 32x47x10	1	

Groep	ENGINE
Code	34.34
Beschrijving	Crank-case
Revisie	1



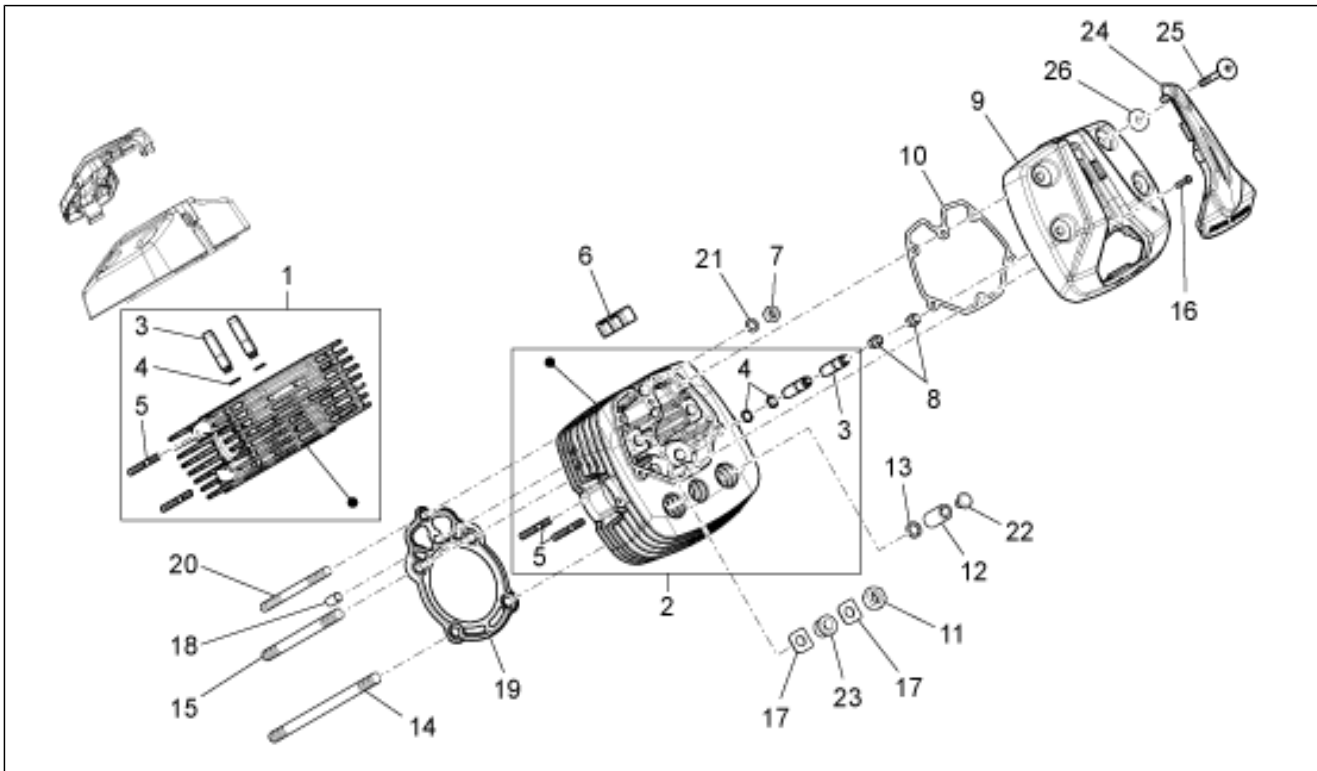
Pos.	Code	Beschrijving	Aant.	Varianten
1	2A0002355	Onderstel motor cpl.	1	
2	GU96451560	Stiftbout	4	
3	GU96451430	Stiftbout	4	
4	GU96508055	Stiftbout	2	
5	GU19015020	Beslagring	4	
6	GU61270300	Elastische sluitring 8x15x0,3	6	
7	GU92606208	Moer M8x1,25	6	
8	GU19003800	Verbinding	1	
9	GU90706076	OR-ring	2	
10	886365	Dichtingsring	1	
11	GU98682325	Binnenzeskantbout M6x25	12	
12	976604	Oliecarter motor grijs	1	
13	887004	Pakking oliecarter	1	
14	GU31003766	Afvoerdop olie M10x1	1	
15	GU10528900	Pakking in aluminium	1	
16	976685	Bedekking	1	
17	GU90706444	OR-ring	1	
18	883826	Invoerdop olie	1	
19	GU90706281	OR-ring 28,24x2,62	1	
20	GU12003702	Afvoerdop olie	1	
21	GU95100709	Pakking 20,1x28x2	1	
22	GU27152885	Schroefbout	1	
23	GU12154200	Pakking 8,25x15x1	1	
24	GU32999510	Oliekeerringen-serie	1	
25	GU32999010	Pakkingen-serie	1	
26	GU13021900	Kolomv. moer	4	
27	GU95129180	Sluitring 10,5X18X0,8	4	
28	2L0001895	Motor cpl. zonder versn.bak	1	

Groep	ENGINE
Code	34.35
Beschrijving	Timing system cover
Revisie	1



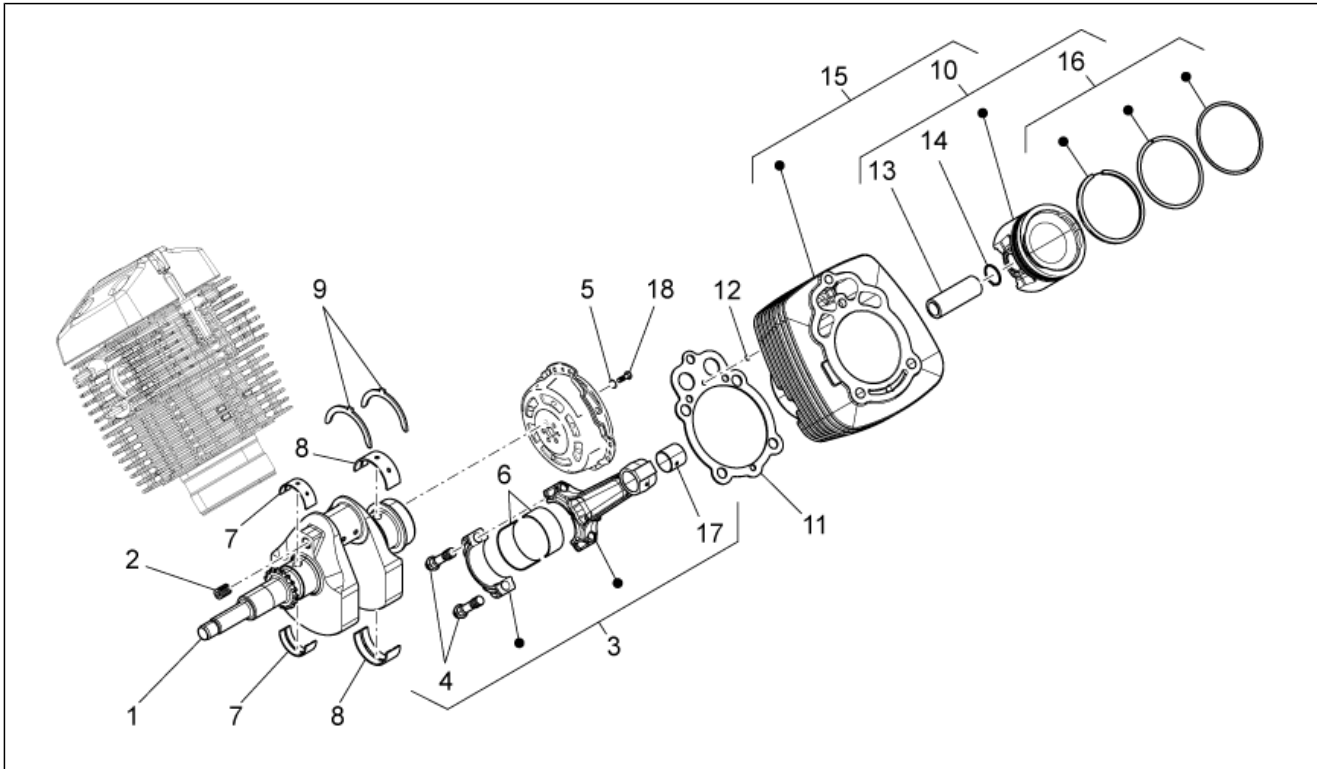
Pos.	Code	Beschrijving	Aant.	Varianten
1	2A000085	Bedekking generator	1	
2	887003	Pakking bedekking	1	
3	GU98682325	Binnenzeskantbout M6x25	10	
4	GU98682330	Binnenzeskantbout M6x20	2	
5	GU19002020	Beslagring 6,6x9x13	2	

Groep	ENGINE
Code	34.36
Beschrijving	Cylinder head
Revisie	1



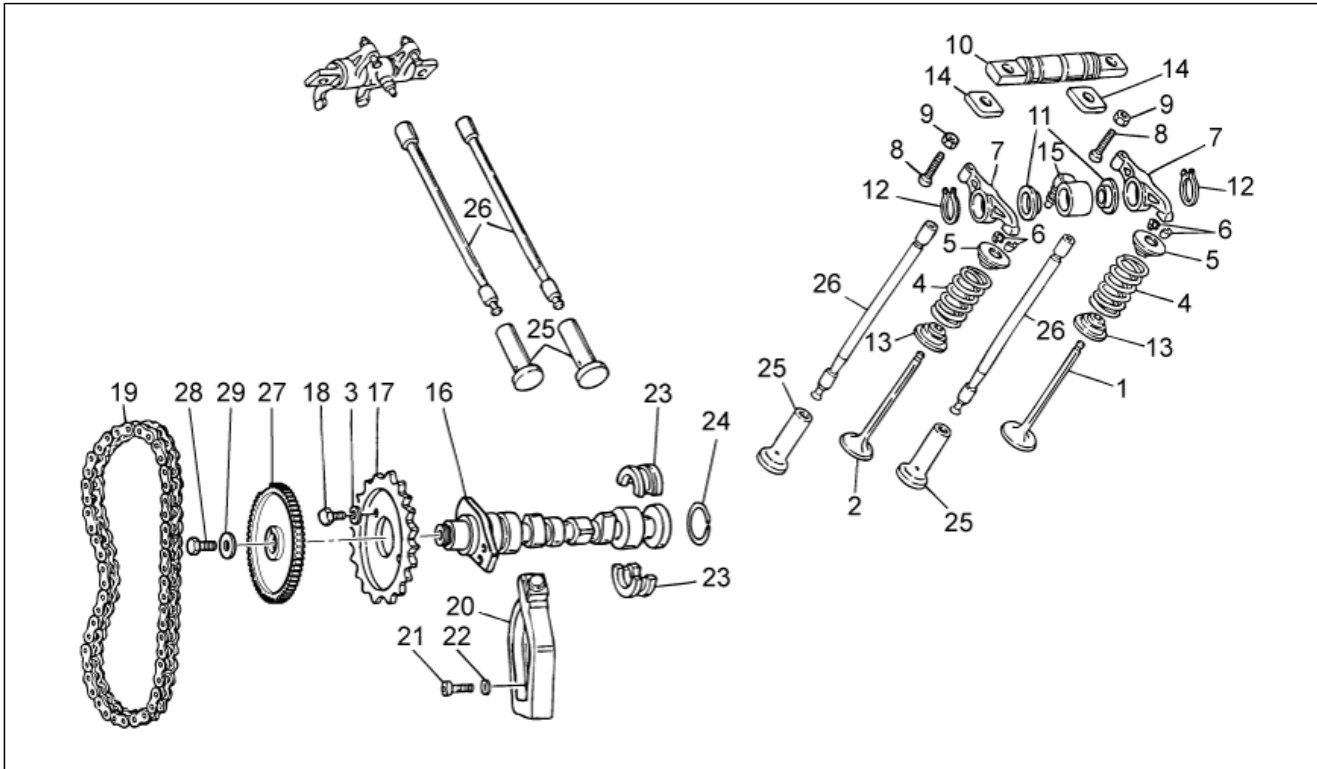
Pos.	Code	Beschrijving	Aant.	Varianten
1	8872724	Kop re	1	
2	8872754	Kop li	1	
3	GU61036801	Klepgeleider	4	
4	GU90353009	Elastische ring	4	
5	GU96506042	Stiftbout	4	
6	B063111	Trillingsdempende plug	4	
7	GU19021920	Moer	2	
8	GU19037820	Oliekeerring	4	
9	887523	Kopdeksel	2	
10	887002	Pakking bedekking kop	2	
11	GU92603010	Moer M10X1,5	4	
12	GU13021900	Kolomv. moer	4	
13	GU95129180	Sluitring 10,5X18X0,8	4	
14	GU96510214	Stiftbout M10x214	4	
15	GU96510181	Stiftbout M10x182	4	
16	GU98692325	Binnenzeskantbout M6x25	4	
17	GU19032980	Dikte	8	
18	GU19021360	Beslagring	2	
19	B063099	Pakking kop-cilinder	2	
20	976898	Stiftbout M8x140	2	
21	GU61270300	Elastische sluitring 8x15x0,3	2	
22	GU93180245	Dop	4	
23	AP8144071	Rubbertje uitlaat	1	
24	887279	Bedekking bougie	2	
25	887483	Bout kopdeksel M6x52.5	8	
26	969973	Sluitring	8	

Groep	ENGINE
Code	34.37
Beschrijving	Crankshaft cpl.
Revisie	1



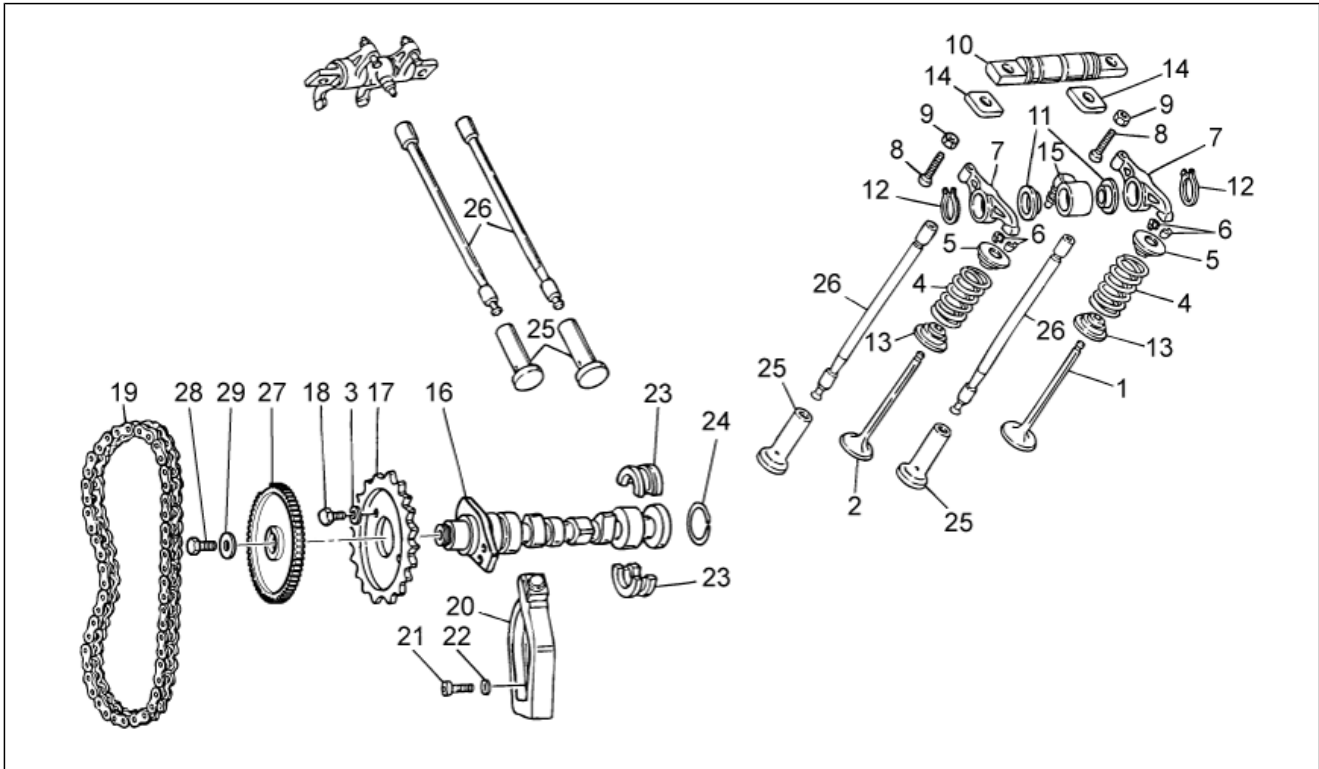
Pos.	Code	Beschrijving	Aant.	Varianten
1	2A0000995	Drijfjas	1	
2	GU19065400	Dop	1	
3	GU27061585	Drijfstang cpl.	2	
4	GU19062261	Bout	4	
5	GU14615901	Sluitring 8,4X13X0,8	6	
6	GU27062060	Halfdop kussenblok	4	
7	GU27065660	Halfdop kussenblok voor	2	
8	GU27066560	Halfdop kussenblok acht.	2	
9	GU27066460	Halfsluitring	2	
10	8872690001	Zuiger compl. d.80 Cat. D	1	
10	8872690002	Zuiger compl. d.80 Cat. E	1	
10	8872690003	Zuiger compl. d.80 Cat. F	1	
11	886670	Cylinder gasket	2	
12	GU61027200	OR-ring	2	
13	B063016	Zuigerpen	2	
14	874567	Blokkeerring	4	
15	B063465	Cilinder met zuiger cpl.	2	
16	B063466	Kit elastische banden	2	
17	GU27061885	Beslagring	2	
18	GU19067700	Bout	6	

Groep	ENGINE
Code	34.38
Beschrijving	Timing system
Revisie	1



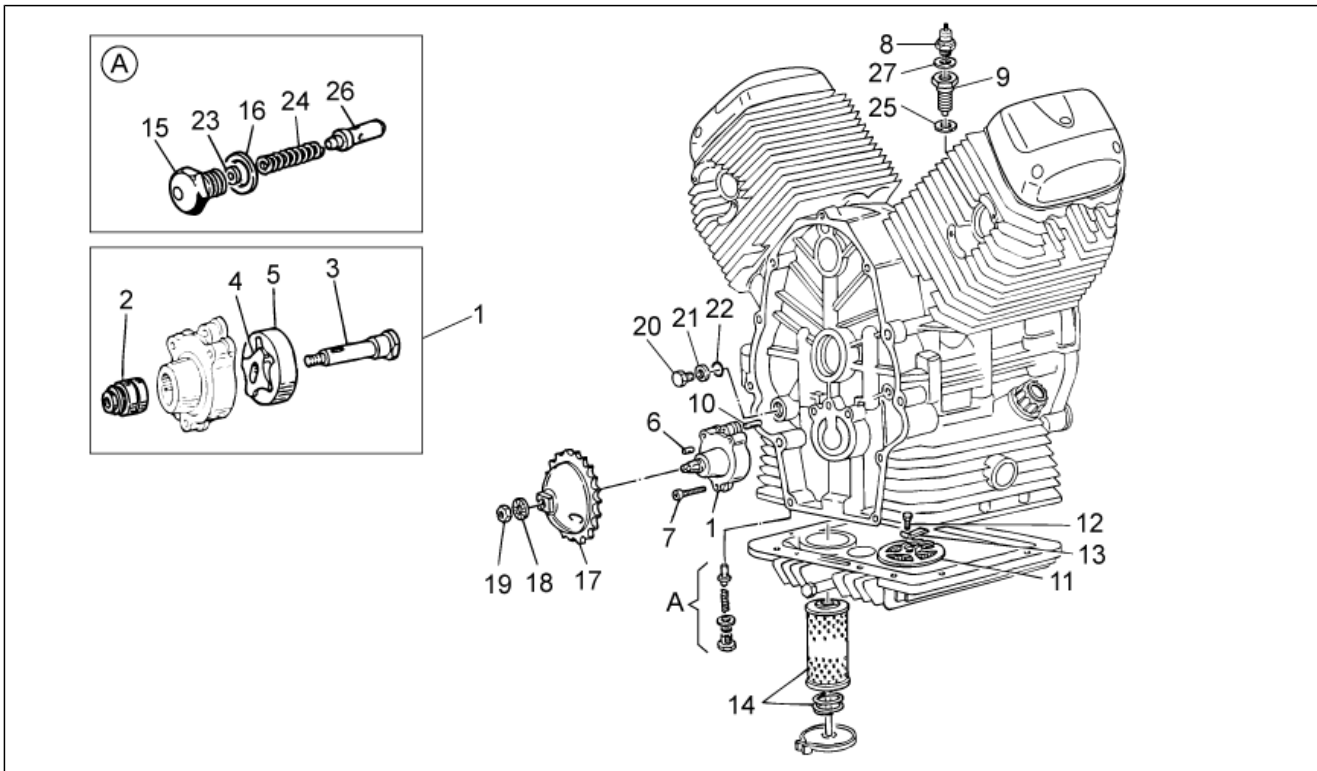
Pos.	Code	Beschrijving	Aant.	Varianten
1	2A000146	Aanzuigklep	2	
2	2A000147	Exhaust valve	2	
3	GU23217800	Sluitring veiligheid	2	
4	GU27037521	Veer	4	
5	GU31038015	Schijf bov.	4	
6	GU61038100	Halfconus	8	
7	GU19030500	Balancerings	4	
8	GU19034000	Bout	4	
9	GU92602406	Moer M6x1	4	
10	GU19032080	Pin balancering	2	
11	GU32032310	Schraapring	4	
12	GU90271018	Seegerring	4	
13	GU31037015	Schijf ond.	4	
14	GU19032980	Dikte	4	
15	GU19027500	Mof	2	
16	GU32053410	Nokkenas	1	
17	GU32054510	Raderw.distrib.	1	
18	GU61054900	Schroefbout	2	
19	GU19058021	Distributieketting	1	
20	GU19058220	Kettingspanner distr.	1	
21	GU98882316	Bout	1	
22	GU95129115	Sluitring	1	
23	GU19055700	Sector blokk.	2	
24	GU90353029	Elastische ring	1	
25	GU19045861	Kleplicht.	4	
26	GU31045015	Staaft balancerings	4	
27	887528	Geluidswiel	1	
28	GU98054422	Bout M8x22	1	

Groep	ENGINE
Code	34.38
Beschrijving	Timing system
Revisie	1



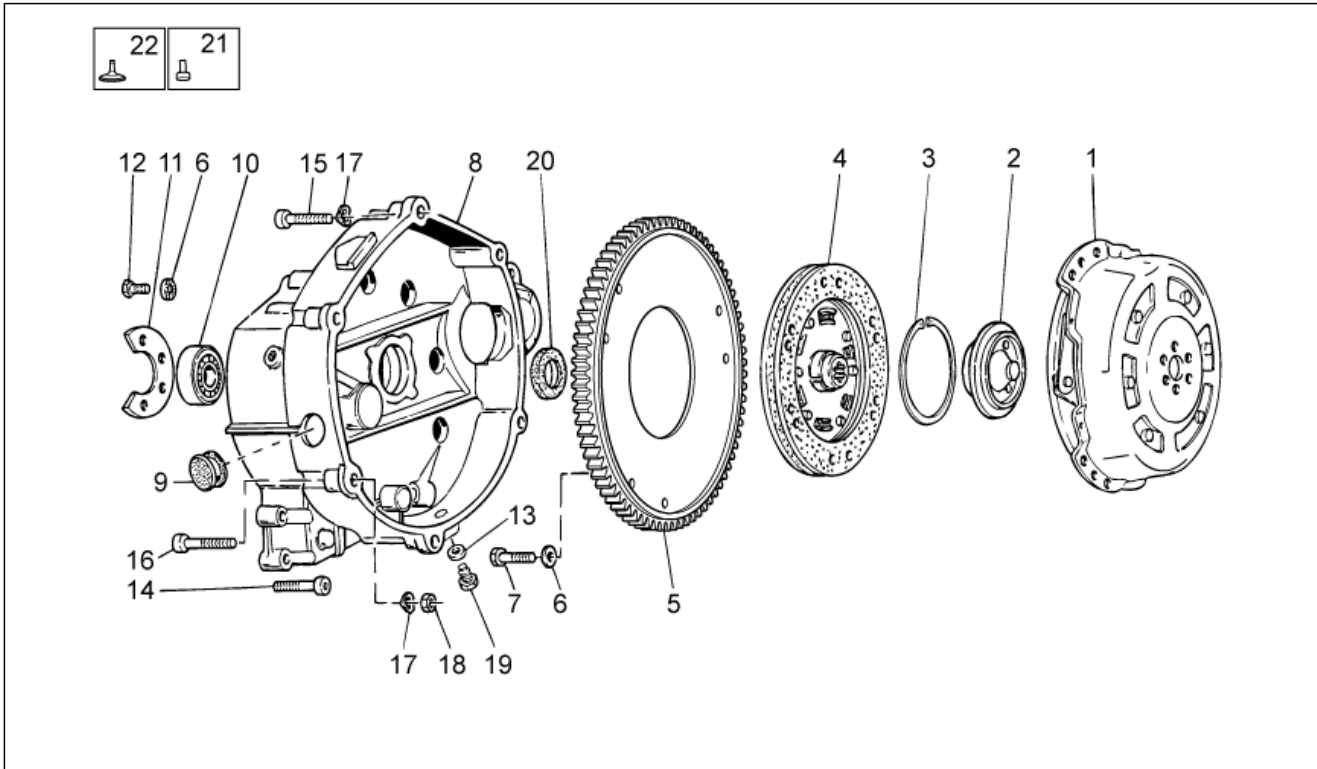
Pos.	Code	Beschrijving	Aant.	Varianten
29	GU95100244	Sluitring	1	

Groep	ENGINE
Code	34.39
Beschrijving	Oil pump
Revisie	1



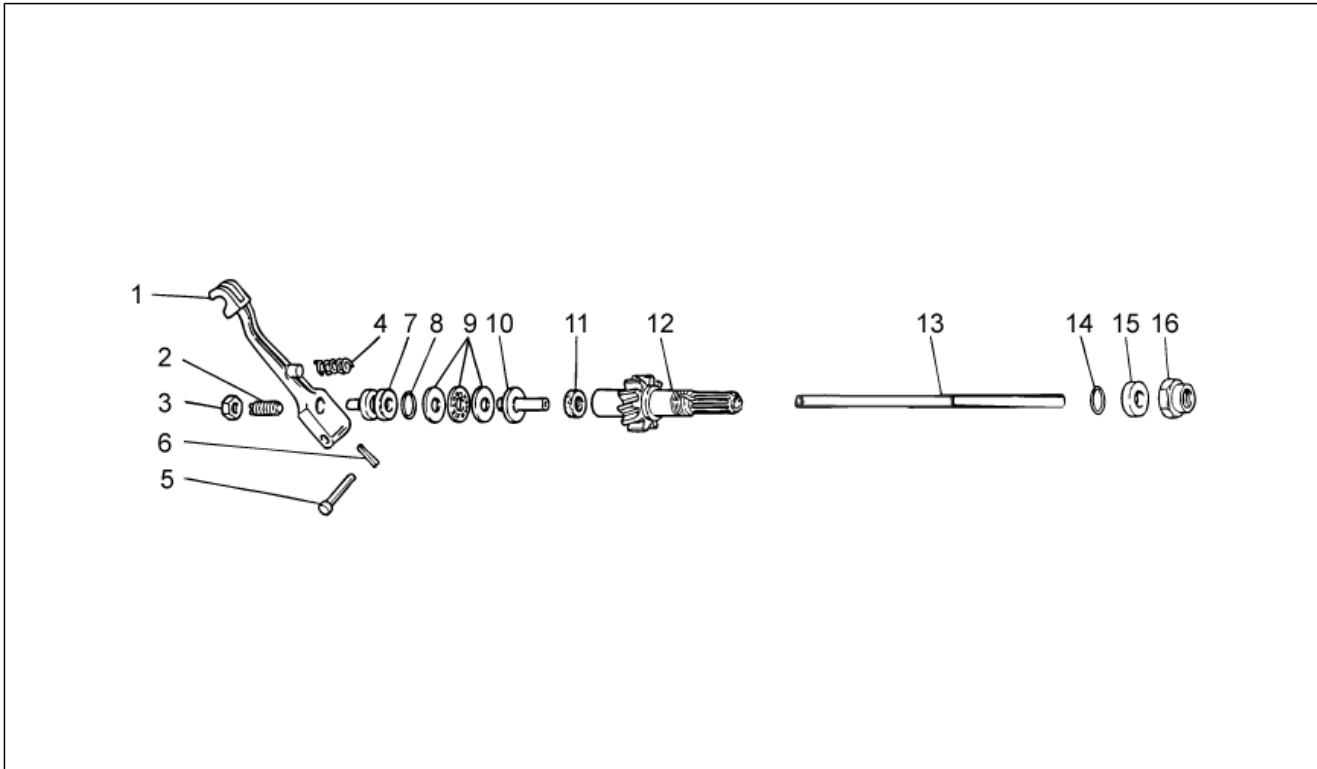
Pos.	Code	Beschrijving	Aant.	Varianten
1	GU19146422	Oliepomp	1	
2	GU92252210	Rollager 10x22x20	1	
3	GU20147810	As oliepom	1	
4	GU20148410	Rotor int.	1	
5	GU20148610	Rotor ext.	1	
6	GU92296723	Rol	1	
7	GU98620335	Bout M6x35	3	
8	641541	Sensor oliedruk	1	
9	887093	Verbinding zender	1	
10	GU19018920	Plug	2	
11	GU19152200	Oliefilter	1	
12	GU98084314	Zeskantbout M6x14	1	
13	GU95187006	Plaatje	1	
14	GU27153085	Oliefilter	1	
15	GU31159050	Dop	1	
16	GU18144350	Sluitring 18,25x24x1	3	
17	GU20147710	Raderw.pomp	1	
18	AP8152220	Gekart. sluitring	1	
19	GU92602510	Moer M10x1,25	1	
20	GU31016050	Dop	1	
21	GU18161150	Pakking in aluminium 14,25	1	
22	GU90706111	OR-ring	1	
23	GU95008206	Sluitring 6,15x11x0,8	3	
24	GU94321079	Veer	1	
25	GU95100602	Pakking	1	
26	GU31159050	Zuigertje	1	
27	GU95100309	Sluitring	1	

Groep	ENGINE
Code	34.40
Beschrijving	Clutch I
Revisie	1



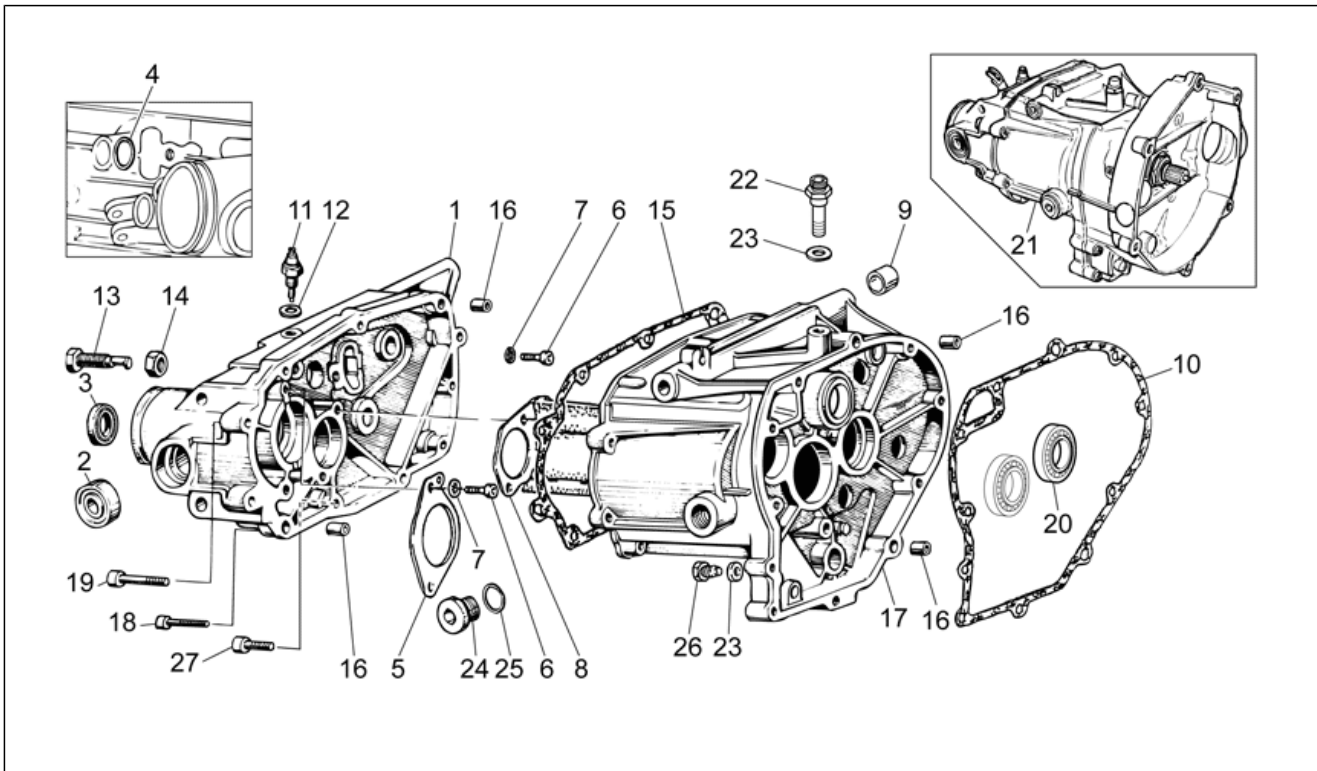
Pos.	Code	Beschrijving	Aant.	Varianten
1	GU32080310	Koppeling	1	
2	GU19083462	Plaatje koppeling	1	
3	GU90272075	Elastische ring	1	
4	GU32084410	Schijf koppeling geleid	1	
5	GU32067910	Kroon	1	
6	GU14217901	Gekart. sluitring 6,4x10x0,7	9	
7	GU98084316	Zeskantbout	6	
8	2A000106	Koppelingsblok	1	
9	GU93180220	Dop	1	
10	GU92201225	Lager 25x52x15	1	
11	GU19203460	Bevestigingsplaat lager	1	
12	884037	***HEXAG. HEAD SCREW	3	
13	GU10528900	Pakking in aluminium	1	
14	GU98682330	Binnenzeskantbout M6x20	11	
15	GU98680435	Binnenzeskantbout M8x35	5	
16	GU98680450	Binnenzeskantbout M8x50	1	
17	GU61270300	Elastische sluitring 8x15x0,3	6	
18	GU92606208	Moer M8x1,25	1	
19	GU31003766	Afvoerdop olie M10x1	1	
20	886629	Dichtingsring	1	
21	GU23204471	Straal voor a.s.	1	
22	GU23204571	Straal	1	

Groep	ENGINE
Code	34.41
Beschrijving	Clutch II
Revisie	1



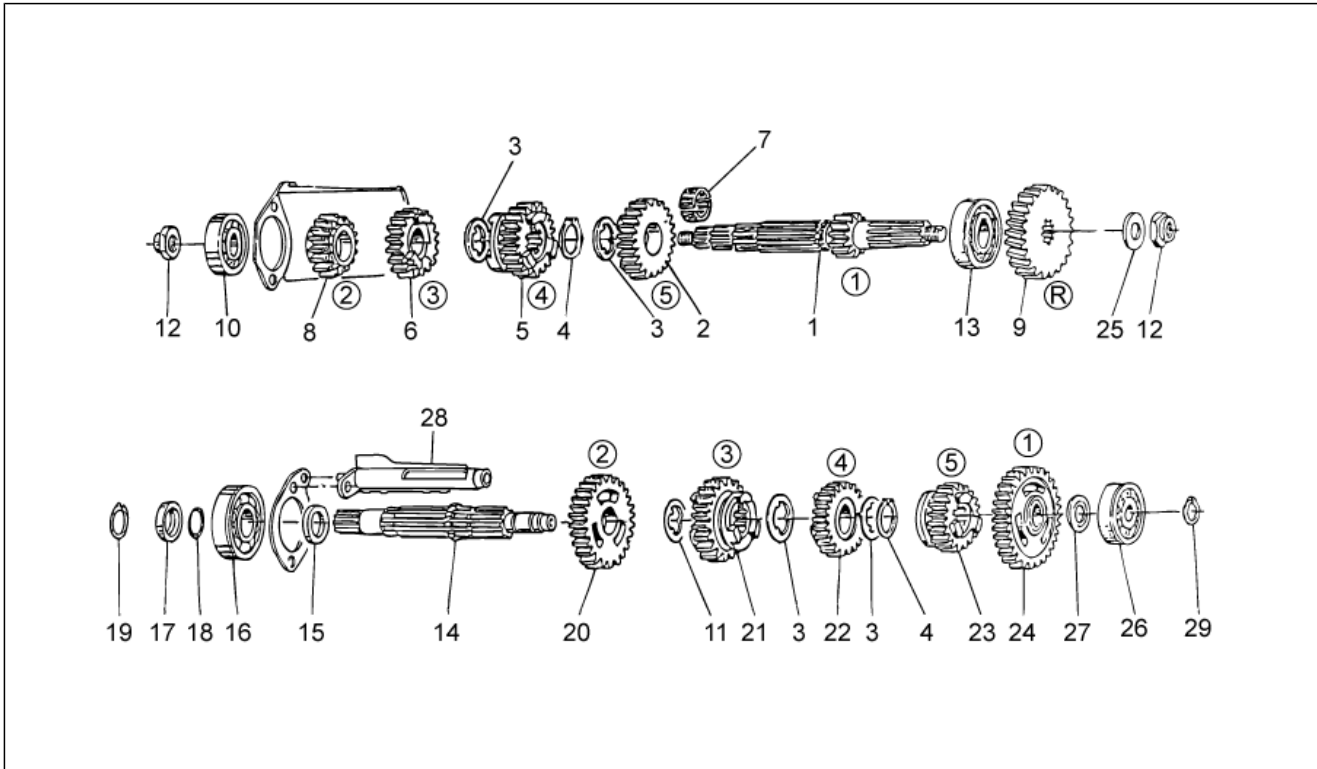
Pos.	Code	Beschrijving	Aant.	Varianten
1	GU14090201	Ontkoppelingshendel koppeling	1	
2	GU14090400	Registerbout	1	
3	GU92606508	Moer	1	
4	GU94321105	Trekveer hendel	1	
5	GU95780271	Plug 7x39	1	
6	GU95500222	Splitpen	1	
7	GU14086100	Externe romnp	1	
8	GU90706170	O-ring 17,13x2,62	1	
9	GU12087001	Lager drukst.	1	
10	GU14086000	Tussenromp	1	
11	GU90400616	Dichtingsring 6x16x7	1	
12	GU27210760	Overbrengingsas Z=16	1	
13	GU20085720	Staaaf schijfduwer	1	
14	GU90706235	O-ring 23,52x1,78	1	
15	GU19213760	Afstandhouder	1	
16	GU19356760	Veiligheidsmoer	1	

Groep	ENGINE
Code	34.42
Beschrijving	Transmission cage
Revisie	1



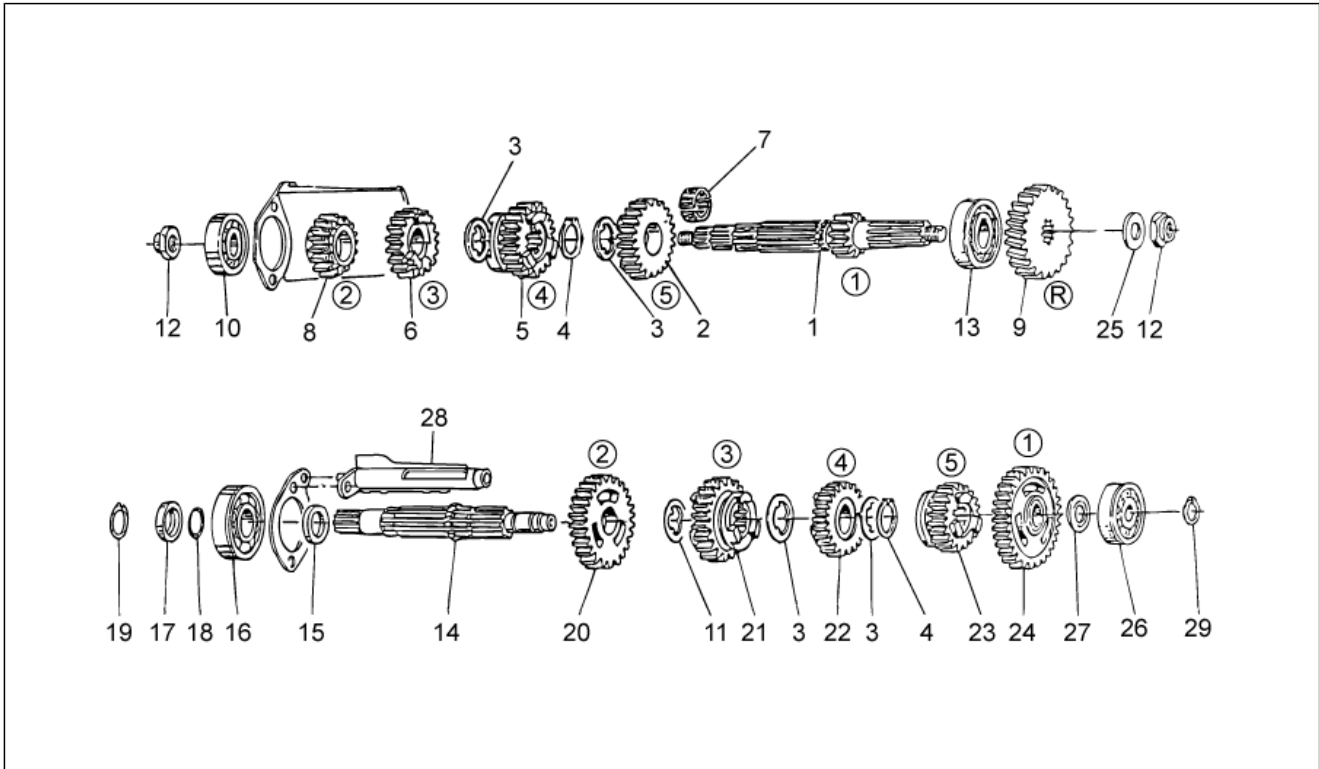
Pos.	Code	Beschrijving	Aant.	Varianten
1	2A000098	Bedekking doos versn.bak	1	
2	2A000097	Kogellager 6202-2RSH/C3 LHT23	2	
3	886364	Dichtingsring 28x40x7	1	
4	GU90706140	O-ring 13,95x2,92	1	
5	GU32213810	Bevest.plaat secund. as	1	
6	884031	Binnenzeskantbout M6x14	4	
7	GU14217901	Gekart. sluitring 6,4x10x0,7	4	
8	GU32208210	Wand olie	1	
9	GU19202320	Beslagring 10,25x15,7x8	2	
10	887005	Pakking	1	
11	B063269	Sensor vrij	1	
12	GU12154200	Pakking 8,25x15x1	1	
13	GU19237800	Bout met excentriek M12x1,25	1	
14	GU92606512	Moer laag M12x1,25	1	
15	887006	Pakking	1	
16	GU19002020	Beslagring 6,6x9x13	4	
17	887235	Doos versn.bak	1	
18	GU98682330	Binnenzeskantbout M6x20	5	
19	GU98680435	Binnenzeskantbout M8x35	4	
20	B063342	Kogellager 6004/C3	1	
21	976992	Versnellingsbak cpl.	1	
22	GU32206510	Dop ontluchting	1	
23	GU10528900	Pakking in aluminium	2	
24	GU12022600	Oliedop	1	
25	GU90706203	OR-ring 20,24X2,62	1	
26	GU31003766	Afvoerdop olie M10x1	1	
27	AP8150285	Binnenzeskantbout M6x35	2	

Groep	ENGINE
Code	34.43
Beschrijving	Gear box
Revisie	1



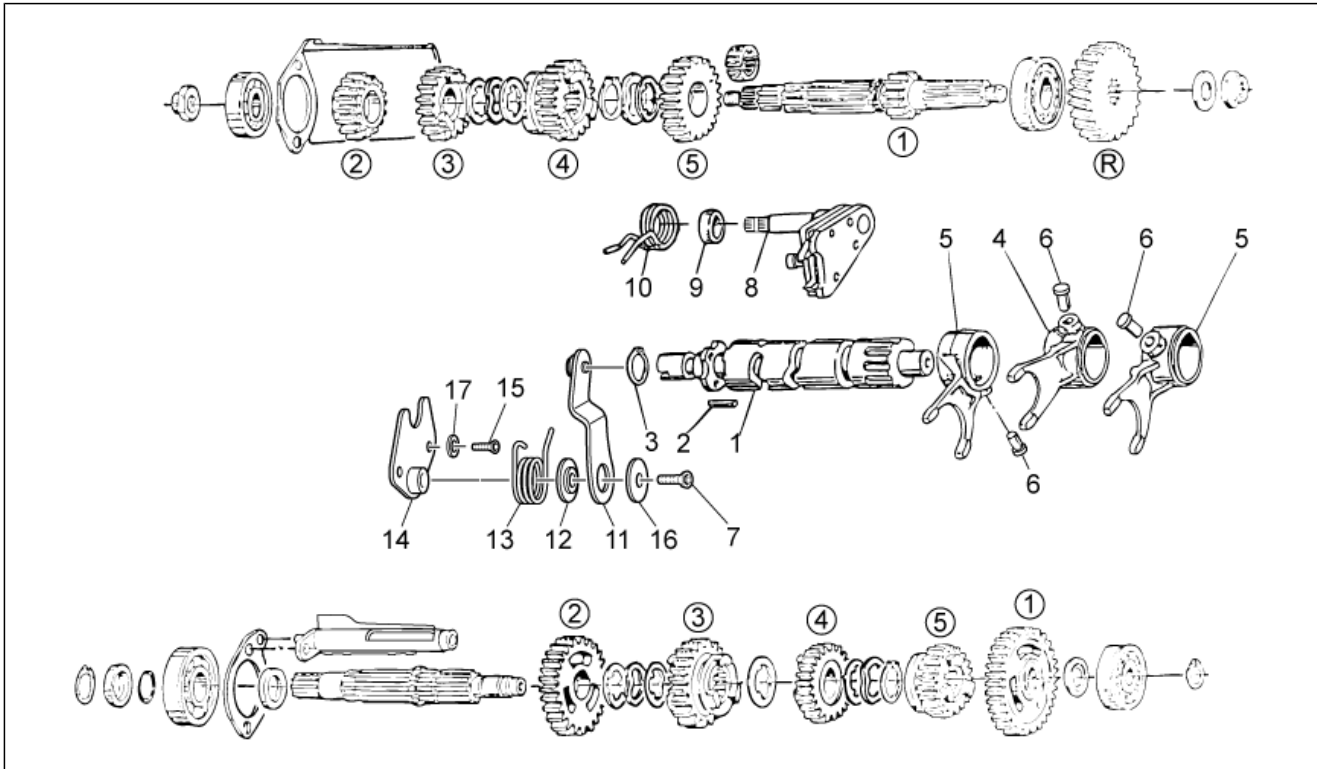
Pos.	Code	Beschrijving	Aant.	Varianten
1	GU32210510	Primaire as Z=11	1	
2	GU32212011	Raderwerk 5a AP Z=25	1	
3	GU19215460	Schraapring	3	
4	GU90271124	Seegerring	2	
5	GU32211810	Raderwerk 4a AP Z=18	1	
6	GU32211410	Raderwerk 3a AP Z=18	1	
7	GU92251028	Rollenkooi	1	
8	GU23211372	Raderwerk 2a AP Z=14	1	
9	GU32211110	Raderw. overbrenging AP Z=21	1	
10	GU92218417	Lager AP 17x40x17,5	1	
11	GU19214660	Steunende sluitring	2	
12	GU10054100	Veiligheidsmoer	2	
13	GU92230320	Lager AP 20x37x17	1	
14	GU32213610	Secundaire as	1	
15	GU19212900	Afstandhouder	1	
16	GU92201220	Lager 20X47X14	1	
17	GU19213720	Afstandhouder	1	
18	GU90706188	Dichtingsring 18,77X1,78	1	
19	GU90271121	Seegerring	1	
20	GU32214510	Raderwerk 2a AS Z=23	1	
21	GU32214810	Raderwerk 3a AS Z=23	1	
22	GU32215010	Raderwerk 4a AS Z=19	1	
23	GU32215210	Raderwerk 5a AS Z=22	1	
24	GU32214010	Raderwerk 1a AS Z=26	1	
25	GU39238100	Steunende sluitring	1	
26	GU92234716	Lager	1	
27	GU10214300	Dikte 1,5 mm	1	
27	GU10214301	Dikte 1,7 mm	1	

Groep	ENGINE
Code	34.43
Beschrijving	Gear box
Revisie	1



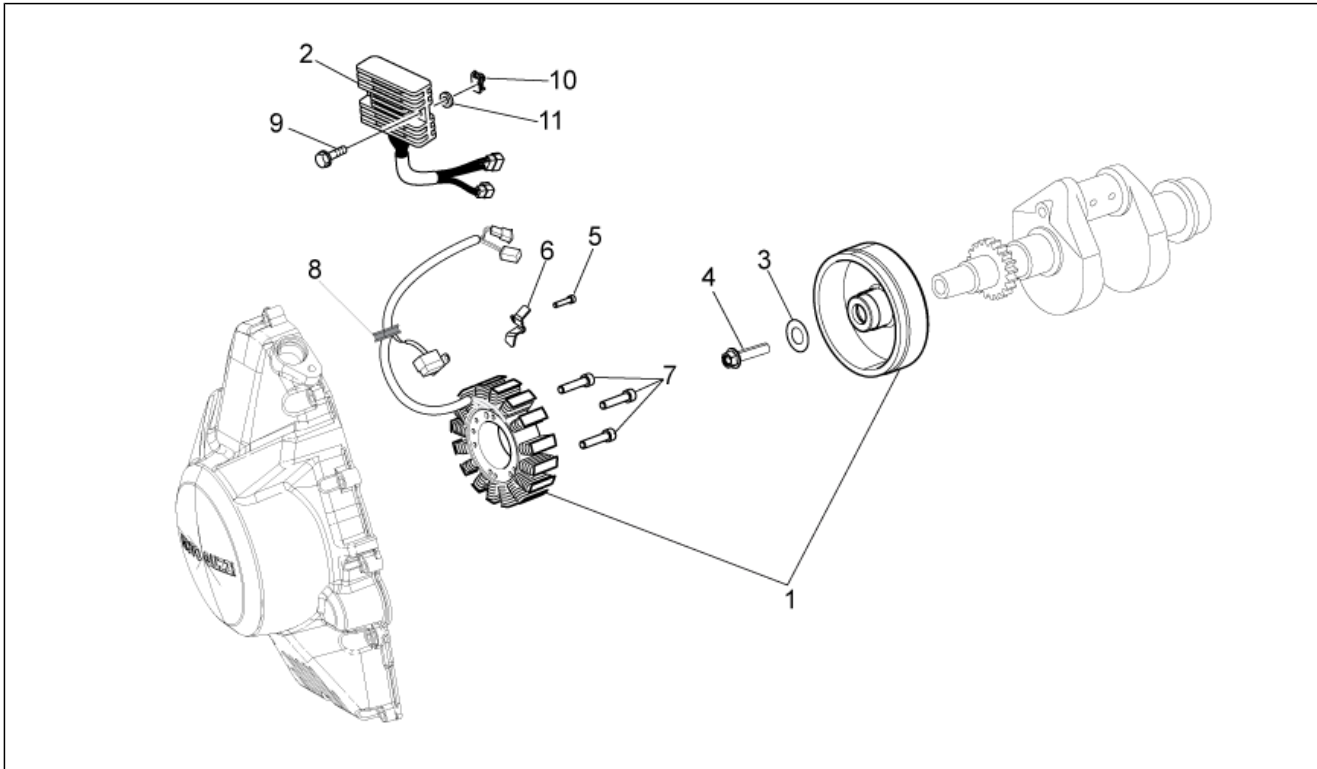
Pos.	Code	Beschrijving	Aant.	Varianten
27	GU10214302	Dikte 1,8 mm	1	
27	GU10214303	Dikte 1,9 mm	1	
27	GU10214304	Sluitring 2 mm	1	
27	GU10214305	Dikte 2,1 mm	1	
28	GU32202010	Druiper	1	
29	GU90271117	Seegerring	1	

Groep	ENGINE
Code	34.44
Beschrijving	Gear box selector
Revisie	1



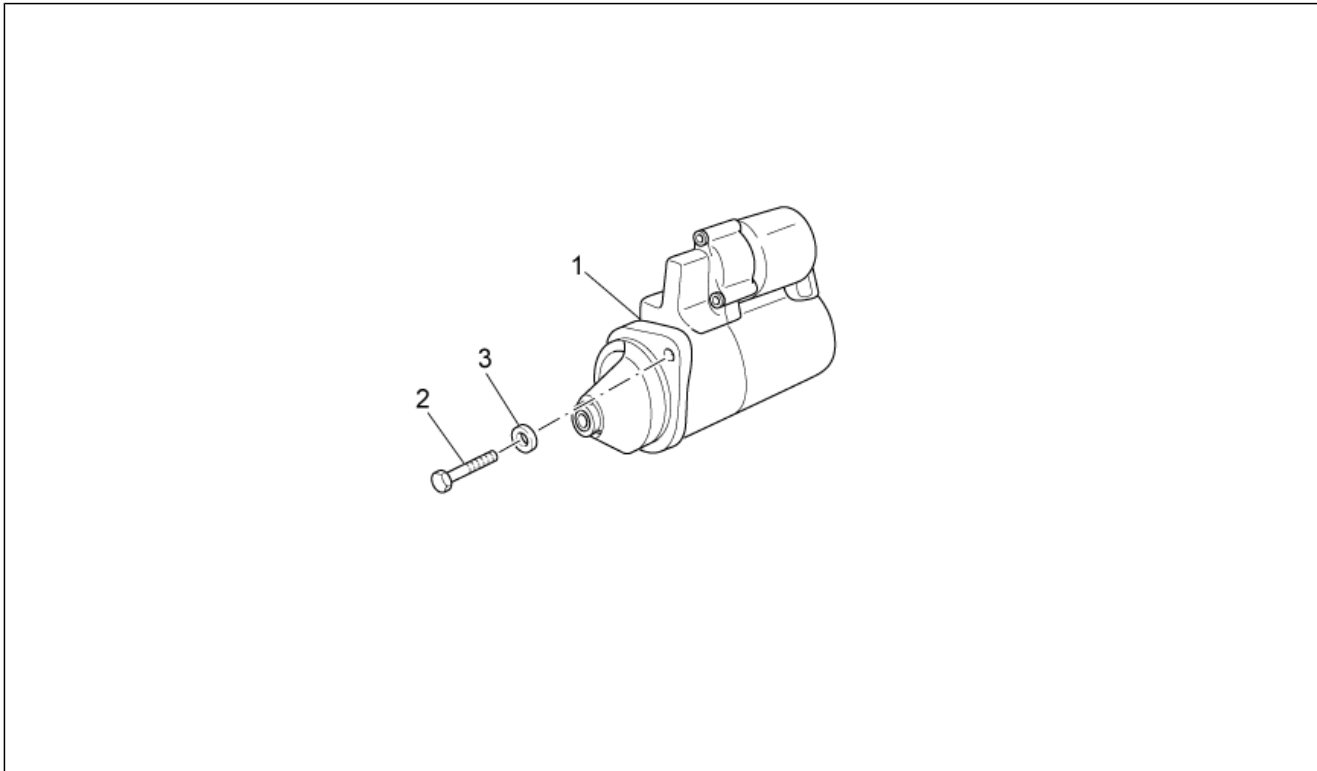
Pos.	Code	Beschrijving	Aant.	Varianten
1	GU32234410	Shift cam	1	
2	GU19234600	Pin	4	
3	GU90274026	Elastische ring	1	
4	GU32231210	Vork AP	1	
5	GU32231010	Vork AS	2	
6	GU32233010	Rol	3	
7	GU98230612	Bout	1	
8	887196	Voorschakelaar cpl.	1	
9	GU20208520	Afstandhouder	1	
10	GU32238210	Trekveer schakelaar	1	
11	GU32234710	Hendel	1	
12	GU32234810	Sluitring	1	
13	GU32234110	Veer	1	
14	GU32235710	Plaat	1	
15	GU98257618	Binnenzeskantbout met verzonken kop M6x18	2	
16	GU32234910	Sluitring 6,4x20x1	1	
17	GU14217901	Gekart. sluitring 6,4x10x0,7	2	

Groep	ENGINE
Code	34.45
Beschrijving	Generator - Regulator
Revisie	1



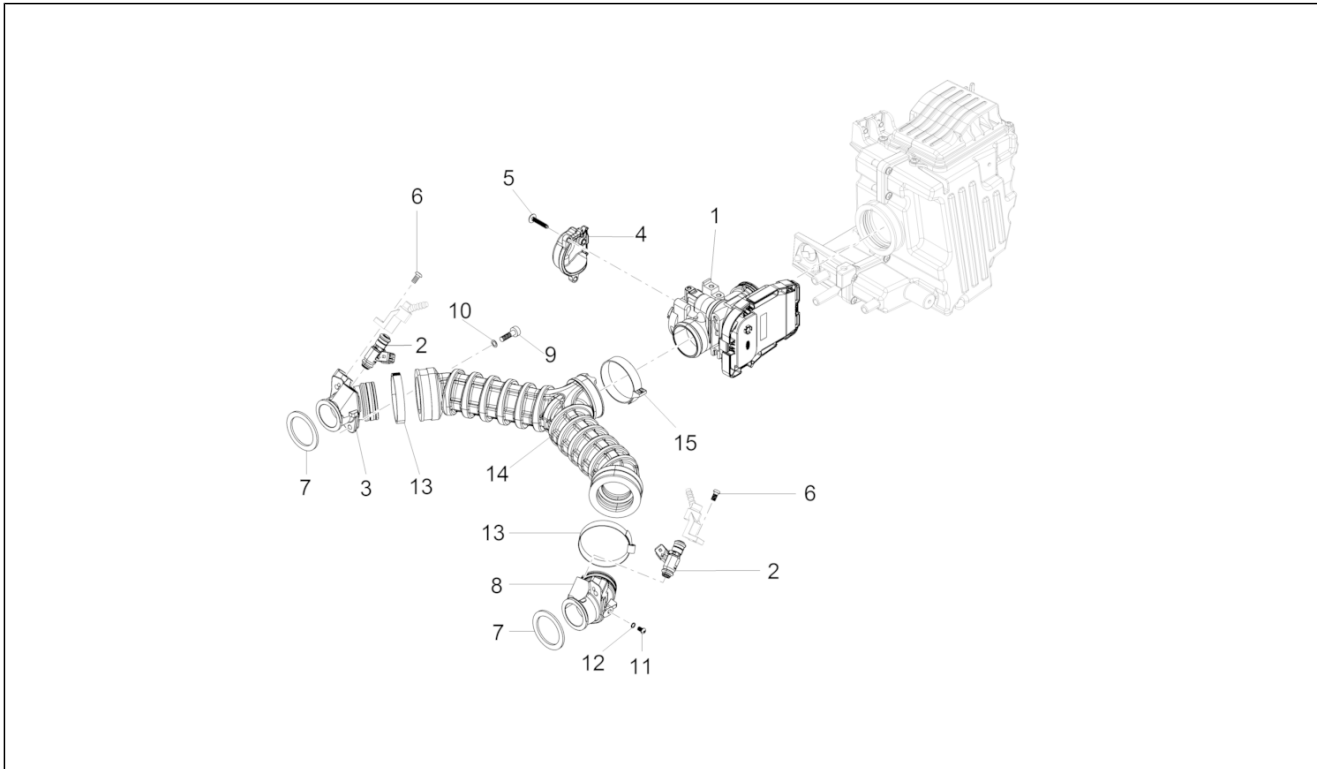
Pos.	Code	Beschrijving	Aant.	Varianten
1	2D000024	Vliegwielmagneet cpl.	1	
2	2D000043	Spanningsregelaar	1	
3	897478	Rondel 12x26.5x3	1	
4	857206	Zeskantbout geflenst M12X1,25X50	1	
5	GU98682212	Binnenzeskantbout M5x12	1	
6	2A000115	Plaatje	1	
7	2A000129	Binnenzeskantbout verlaagd M6x35	3	
8	GU19007700	Rubbetje	1	
9	AP8152281	Zeskantbout geflenst M6x30	2	
10	254485	Spring plate M6	2	
11	GU95100125	Sluitring	2	

Groep	ENGINE
Code	34.46
Beschrijving	Starter motor
Revisie	1



Pos.	Code	Beschrijving	Aant.	Varianten
1	GU05730730	Startmotor Bosch	1	
2	GU98082435	Zeskantbout M8x35	2	
3	GU95008208	Sluitring 8,4X15X1,5	2	

Groep	ENGINE
Code	34.47
Beschrijving	Throttle body
Revisie	1



Pos.	Code	Beschrijving	Aant.	Varianten
1	CM228303	Elektronische centrale voor de injectie	1	LAND:Japan[J]
1	CM228304	Elektronische centrale voor de injectie	1	
2	B063049	Injector	2	
3	GU32115010	Pijp aanz. re	1	
4	880260	Bescherming romp v.	1	
5	B016796	Bolschroef torx	3	
6	AP8152298	Bolbout met binnenzeskant, geflenst M5x16	2	
7	GU32115510	Pakking	2	
8	GU32115011	Pijp aanz. li	1	
9	GU98622322	Bout	4	
10	GU03013800	Sluitring 6,4x12	4	
11	GU98310609	Bout M6x10	2	
12	GU95100116	Sluitring 6,25x10x1,5	2	
13	884311	Klemmetje D.61	2	
14	887812	Mof smoorklephuis	1	
15	GU93305061	Klemmetje 61/65,5	1	